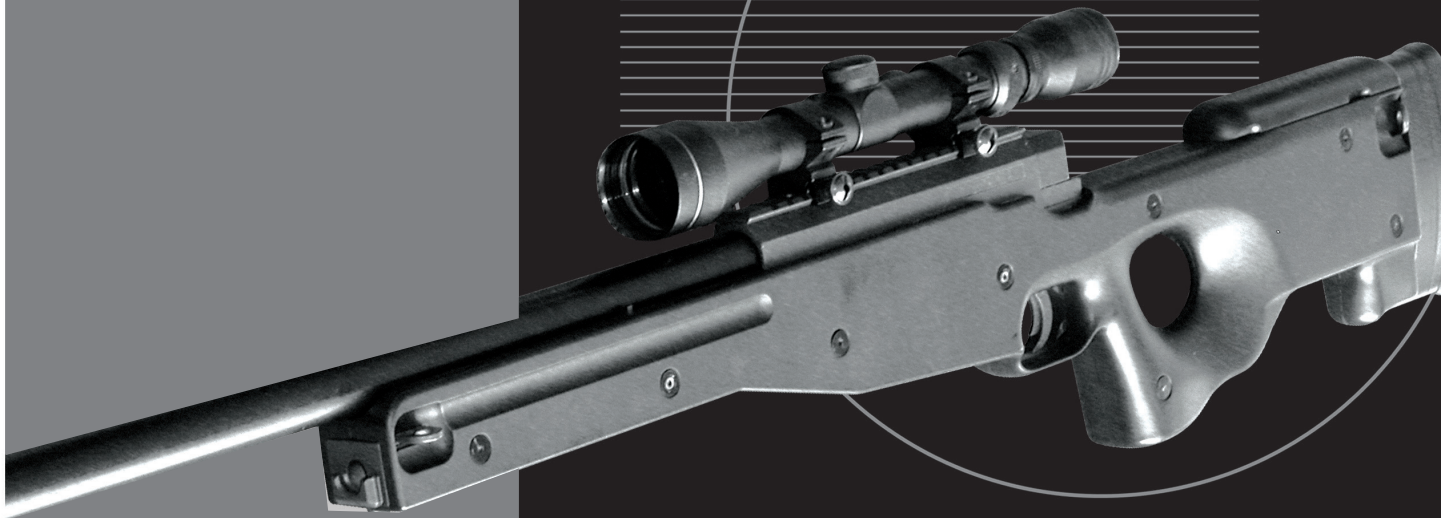


AIRSOFT



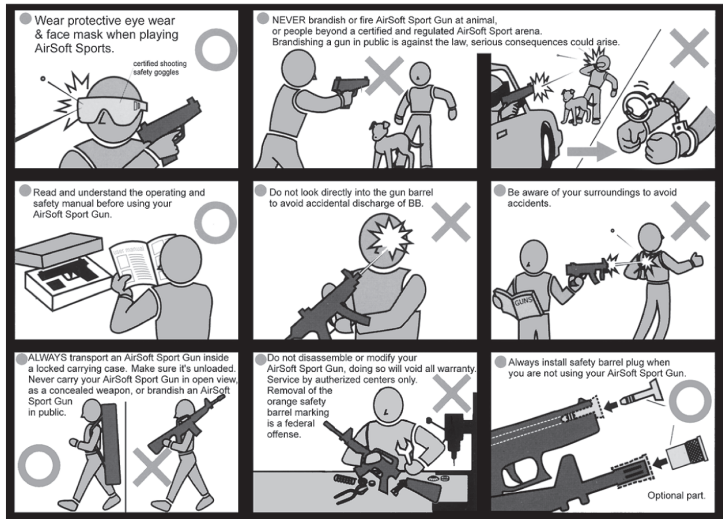
**INSTRUCTION
MANUAL**

WARNING

Always read through this manual before operation!

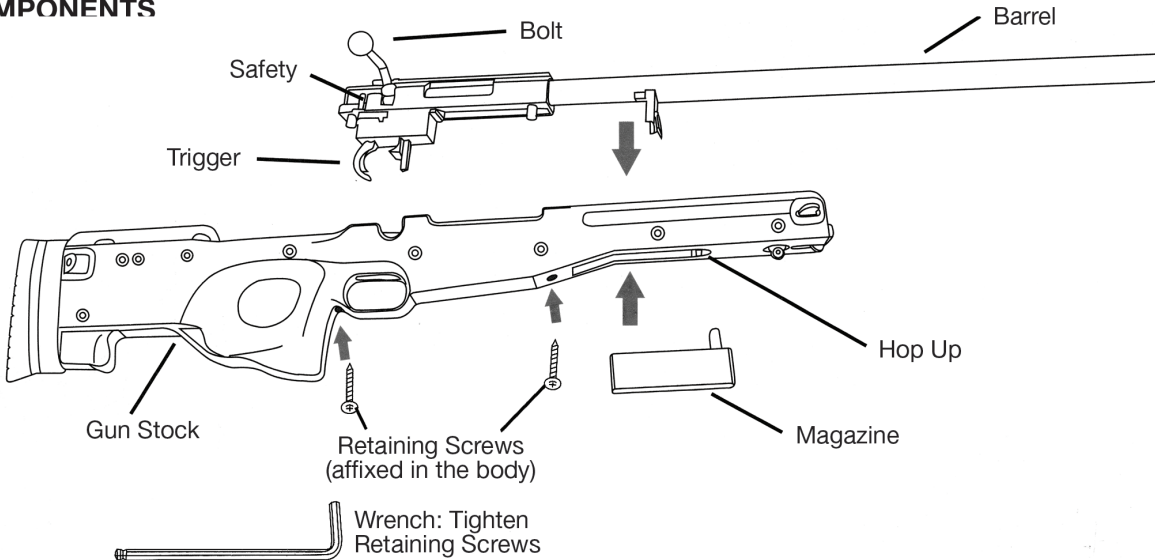
Read through this manual before shooting, paying special attention to safe operation!

Failing to do so may cause injury, accidents, or damage to the gun!

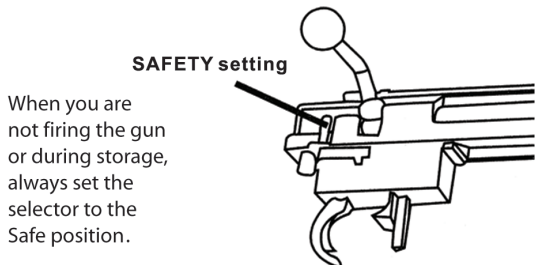


WARNING	
<p>18 Years or older</p> <p>Injury Caution</p> <p>Please read manual!</p> <p>CHOKING HAZARD Keep away from small children.</p>	<p>Operation of this air gun is for training purposes only, at legal training facilities. Users will follow all applicable air gun laws and regulations. Sales and usage restricted to persons 18 years of age or older.</p> <p>Plastic BB's can reach 50 to 60 meters, and up to 300 fps. Careless shooting and mis-handling may result in severe eye damage and or other injuries. Always wear eye and body protection. Never point or shoot at people or animals.</p> <p>Always follow safe handling and precautions listed in the manual. Understand fully all operations of this air gun. Use this air gun with full recognition of it's caution warnings. Use within full compliance of State and local laws.</p> <p>Contact your Dealer for a replacement manual.</p>

COMPONENTS



1 SAFETY SETTING (Always set the safety lever to safe position before firing)



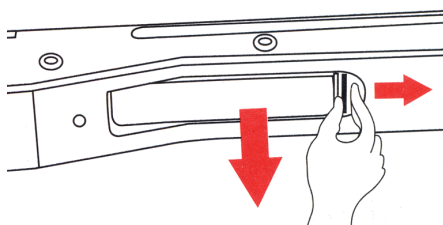
When you are not firing the gun or during storage, always set the selector to the Safe position.

When the safety lever is set to the "On" position, the trigger will not move. Please do not pull the trigger, otherwise you may damage the gun.

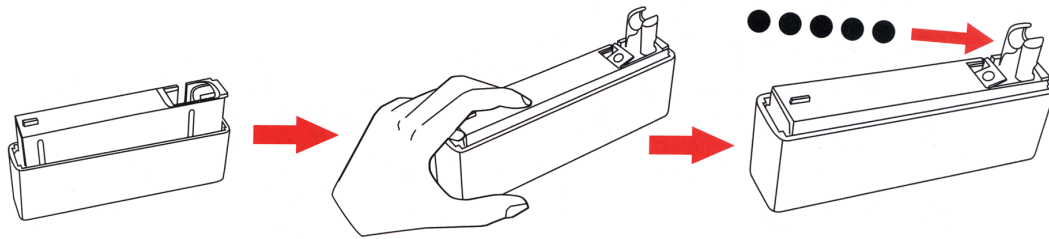
When the safety lever is set to the "Off" position, it is ready for shooting.

The gun will fire when the trigger is pulled.

2 LOADING BB'S INTO AND SETTING THE MAGAZINE



Remove the magazine by pressing the magazine release and pulling the magazine out.



Press the Magazine and load the BB's, maximum of 30 BB's. Do not overload the Magazine.
Reinsert the Magazine into the gun, until a "Click" is heard.

3 OPERATION

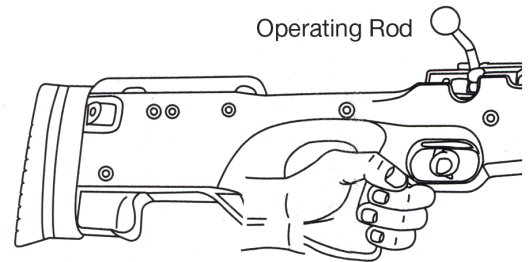
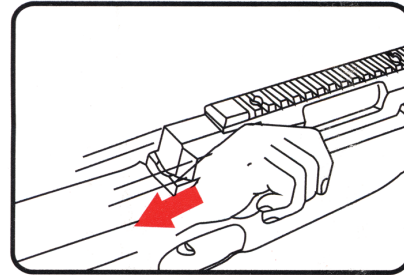
- Rotate the Bolt up, then pull the Bolt all the way back until a "Click" is heard.

Then, push the Bolt all the way forward and rotate down.

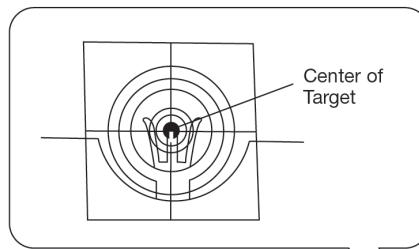
Make sure the Safety release is in "Off" position.
The gun is now ready for firing.

Pull Trigger.

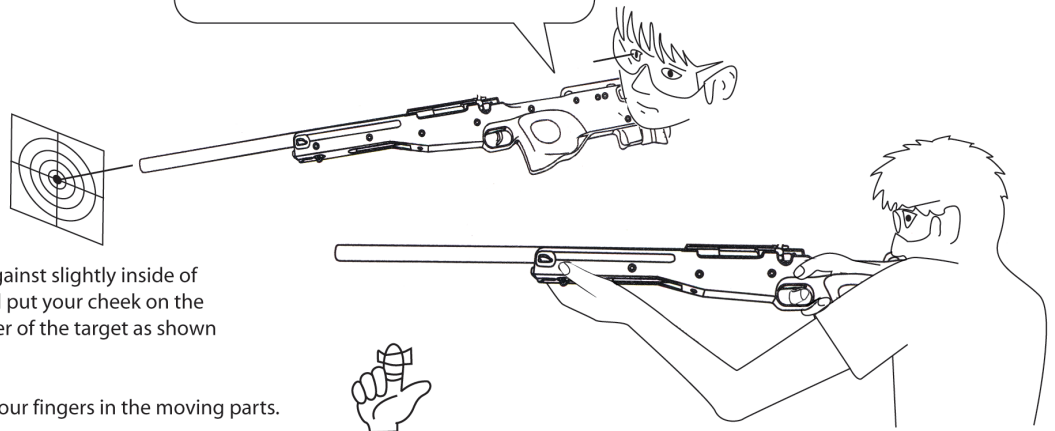
Replace Safety release to "On" position when gun is not in use.



4 HOW TO AIM/HOLD



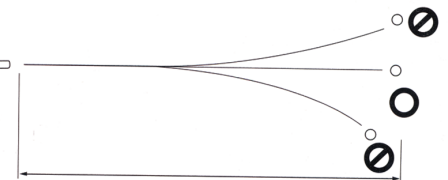
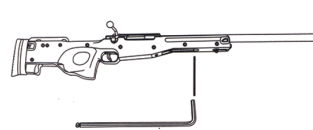
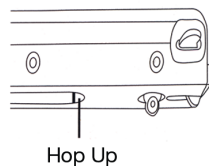
- How to Aim.
Look through from the scope and aim at the center of the target



- How to hold.
Press the butt plate against slightly inside of the shoulder joint and put your cheek on the stock. Aim at the center of the target as shown in the above figure.
- Be careful not to put your fingers in the moving parts.

5 HOP UP

Adjust Hop Up by using M2.5 wrench. The best position is where the BB flies horizontally, and the longest distance is obtained.

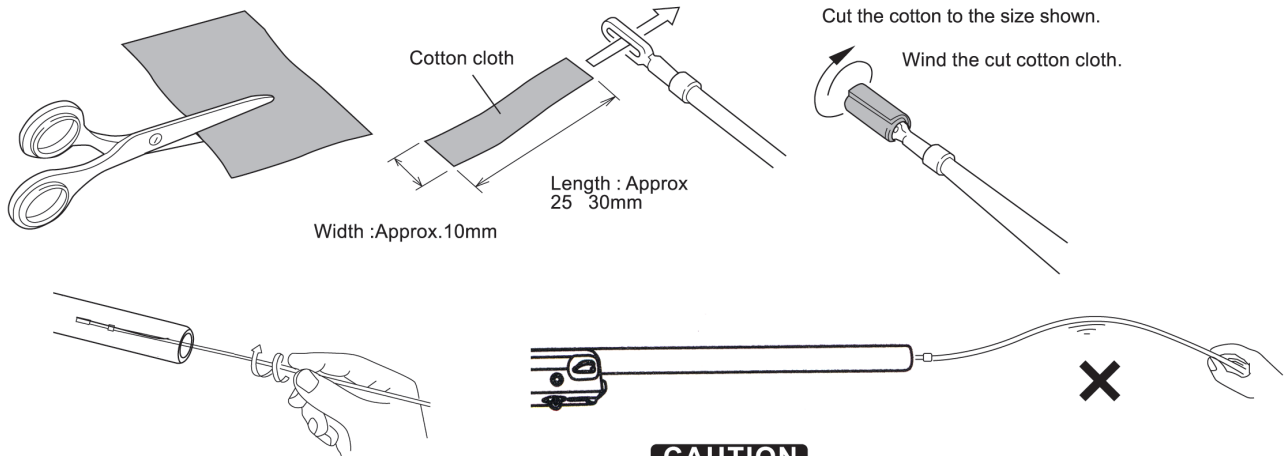


6 MAINTENANCE

• Maintenance when bullet speed becomes low

1. Apply Oil as shown below, using the cleaning rod and oiled cotton cloth. Insert cleaning rod into barrel.

2. After completing cleaning, use the cleaning rod (with cotton) as shown below to Remove excess oil.



Hold at the leading end of the rod and insert the rod into the barrel while turning the rod.

CAUTION

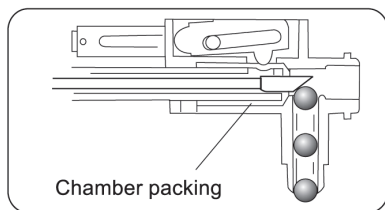
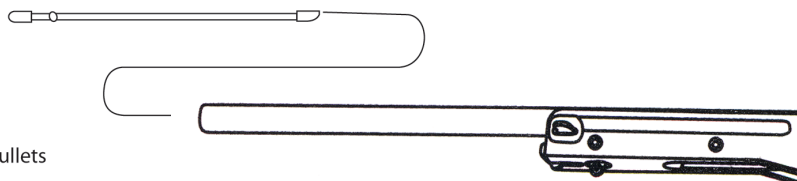
- Always turn the hop up lever completely down before inserting Cleaning Rod.
- It is difficult to insert the rod if you hold the rod at the end.

• Removing Clogged Bullets (Set the Safety button to ON and remove the magazine beforehand.)

1. Remove the Magazine

2. Turn the hop up dial completely down and insert the Cleaning Rod from the lead edge of the barrel.

3. Be careful so that the angled part of the Cleaning Rod faces down, and remove clogged bullets



Make sure to clean the barrel chamber whenever bullets are removed.

• When bullets are clogged, immediately stop operation, Remove clogged bullets and then restart operation of the air gun. (If operation is continued with bullets being clogged, the mechanism may be damaged.)

• Be careful during maintenance, as the inside chamber is precisely designed and can be damaged easily. Use of a hard brush may damage the hop chamber packing.

! WARNING !	
 18 Years or older	<ul style="list-style-type: none"> • Operation of this air gun is for training purposes only, at legal training facilities. Users will follow all applicable air gun laws and regulations. Sales and usage restricted to persons 18 years of age or older.
 Injury Caution	<ul style="list-style-type: none"> • Plastic BB's can reach 50 to 60 meters, and up to 300 fps. Careless shooting and mis-handling may result in severe eye damage and or other injuries. Always wear eye and body protection. Never point or shoot at people or animals.
 Please read manual !	<ul style="list-style-type: none"> • Always follow safe handling and precautions listed in the manual. Understand fully all operations of this air gun. Use this air gun with full recognition of it's caution warnings. Use within full compliance of State and local laws.
CHOKING HAZARD Keep away from small children.	
Contact your Dealer for a replacement manual.	