

# KWA<sup>®</sup>

## AKG-KCR



## OPERATOR'S MANUAL

Please read this manual carefully before using the Airsoft gun.

**KWA Performance Industries, Inc.**

18571 E. Gale Ave  
City of Industry, CA 91748  
T: 1.826.591.1777 • F: 1.826.591.0777  
WWW.KWAUSA.COM

---

**TABLE OF CONTENTS**

Warranty .....	3-4
Use of this manual .....	5
Safety Guidelines .....	5-6
Specifications .....	7
Package Contents .....	7
Charging Gas .....	8
Loading BBs .....	9
Blank Fire Feature .....	10
Fire Selector Switch .....	11
Front Sight Adjustment .....	11
Disassembly .....	12
Assembly .....	13
Cleaning .....	13-14
Hop-Up System .....	15
Troubleshooting .....	16
Operating Under Unusual Conditions .....	16
Diagram and Parts Lists:	
AKG-KCR .....	17-19
AKG-KCR Magazine .....	20-21

# KWA<sup>®</sup>

## WARRANTY

KWA PERFORMANCE INDUSTRIES, INC.

18571 E. Gale Ave.,

City of Industry, CA 91748-1339

1-(828)-581-1777

**THANK YOU FOR PURCHASING A KWA PERFORMANCE INDUSTRIES, INC. PRODUCT.** KWA Performance Industries, Inc. is committed to serving our customers with the finest quality products, the highest level of service, and the best customer satisfaction. Because of this, we offer a 90-day warranty on all KWA products we import and distribute.

### Warranty Coverage

Except as specified below, this warranty covers all defects in material and workmanship in KWA products that occur during the above warranty period. The following are not covered by the warranty: (1) Any product which is not imported and distributed in the U.S.A. by KWA PERFORMANCE INDUSTRIES, INC. (2) Any products not purchased in the U.S.A. from a KWA AUTHORIZED RESELLER. If you are uncertain as to whether a reseller is a KWA AUTHORIZED RESELLER, please contact KWA PERFORMANCE INDUSTRIES, INC. as listed above or visit our website [www.kwausea.com/where-to-buy](http://www.kwausea.com/where-to-buy) (3) Damages, deterioration, or malfunction resulting from: a) An accident, act of nature, abuse, misuse, neglect, opening of or modification or failure to follow instructions supplied with the product. b) Repair or attempted repair by anyone not authorized by KWA PERFORMANCE INDUSTRIES, INC. c) Removal of the orange safety tip. (4) Use of the product outside the U.S.A. (5) Damaged batteries or improper use of bullets (BBs), or non approved propellants (ie. Propane, Red Gas, 134a...etc.) (6) Use in industrial, commercial, and/or professional applications.

### What KWA Will Pay For

If your KWA product is found to be defective by KWA Performance Industries, Inc. during the applicable warranty period from the date of original purchase, KWA Performance Industries, Inc. will repair, or at its option, replace with new, used, or equivalent model, the defective product without charge for parts or labor.

### How To Obtain Warranty Service

If your product needs service, it may be taken or shipped to KWA Performance Industries, Inc. The following procedures apply whenever your unit must be transported for warranty service:

- You must go to the Help Desk at [www.kwausea.com/support](http://www.kwausea.com/support) to obtain an RMA number. THE RMA NUMBER MUST BE CLEARLY MARKED ON THE OUTSIDE OF THE PACKAGE. PACKAGES WITHOUT AN RMA NUMBER CLEARLY MARKED WILL BE REFUSED AND RETURNED TO THE SENDER.
- You are responsible for transporting your unit or arranging for its transportation.
- If shipment of your unit is required; you must pay the initial shipping fee, but we will pay the return shipping charge if the repairs are covered by the warranty.
- WHEN RETURNING YOUR UNIT FOR WARRANTY SERVICE, A COPY OF THE ORIGINAL SALES RECEIPT MUST BE ATTACHED.
- You must include the following: RMA number, your name, address, daytime telephone number, model and serial number (if applicable) of the product and a description of the problem.

### This Warranty is Only Valid in the United States

If your product does not require service, but you have questions regarding its operation, please contact our Help Desk at [www.kwausea.com/support](http://www.kwausea.com/support).

THIS WARRANTY IS EXPRESSLY MADE IN LIEU OF ALL OTHER WARRANTIES, EXPRESSED OR IMPLIED, INCLUDING WITHOUT LIMITATION, WARRANTIES OF MERCHANTABILITY AND FITNESS FOR A PARTICULAR PURPOSE.

OUR LIABILITY IS LIMITED TO THE REPAIR OR REPLACEMENT, AT OUR OPTION, OF ANY DEFECTIVE PRODUCT AND SHALL IN NO EVENT INCLUDE INCIDENTAL OR CONSEQUENTIAL COMMERCIAL OR PROPERTY DAMAGES OF ANY KIND. WE ARE NOT RESPONSIBLE FOR PRODUCTS LOST, STOLEN AND/OR DAMAGED DURING SHIPPING.

SOME STATES DO NOT ALLOW LIMITATIONS ON HOW LONG AN IMPLIED WARRANTY LASTS AND/OR DO NOT ALLOW THE EXCLUSION OF INCIDENTAL OR CONSEQUENTIAL DAMAGES, THE ABOVE LIMITATIONS AND EXCLUSIONS MAY NOT APPLY TO YOU.

This warranty gives you specific legal rights, but you may also have other rights which vary from state to state. This Warranty may not be altered other than in writing signed by an officer of KWA Performance Industries, Inc.

## USE OF THIS MANUAL

Before operating the Airsoft gun, read this manual in its entirety. Important safety topics and tips are discussed throughout all of the chapters. It's important that the operator know the principles of gun handling, safety, and operation prior to firing the Airsoft gun.

## SAFETY GUIDELINES

### Safety Distance

The effective shooting range is approximately 50 feet. BBs fired from this Airsoft gun may travel further than intended. Make certain that you have an adequate backstop.

### Eye Protection

Eye protection should be worn at all times when both shooting and maintaining your Airsoft gun. Protect your eyes from BBs under pressure while performing maintenance on your Airsoft gun.

### Assume Every Gun is Always Loaded

Until you are certain the chamber is empty, treat every gun as if it were loaded. Do not assume the chamber is empty based on your memory or someone else's words. Always remove the magazine and visually check to confirm the chamber is empty.

### Beware of Barrel Obstructions

Ensure the Airsoft gun barrel is free of obstructions before you fire the gun. Even the smallest obstruction such as dirt, dust, or a stuck cleaning patch can cause a jam, misfire, or malfunction.

### Muzzle Control

Always keep the muzzle of the gun pointed in a safe direction. Never point the muzzle at a person or object that you do not intend to shoot.

### Keep Your Safety On

Keep the gun's safety on until your sights are aligned on your target and you are ready to fire.

### Keep Your Finger Off The Trigger

Keep your finger off the trigger and out of the trigger guard until your sights are aligned on your target and you are ready to fire.

### Identify Your Target and Backstop

Before you pull the trigger, make certain of your target and what is beyond it. The Airsoft gun should never be fired at surfaces such as rocks, glass, water, or other hard surfaces where BBs are likely to ricochet in unpredictable directions.



#### WARNING:

- Airsoft BBs can be a choking hazard. Keep them away from children.
- Failure to follow safety guidelines may result in serious injury.

## SAFETY GUIDELINES (CONTINUED)

### Failure To Fire

If the Airsoft gun fails to fire, misfires, or malfunctions, do not look into the gun barrel. BBs can become lodged into the chamber, and serious eye injury may occur.

### Maintain Your Gun Properly

Performing proper maintenance, as outlined in this manual, ensures that your Airsoft gun will be safe to shoot and will perform to its designed specifications for many years. Alterations, modifications or adjustments may damage your Airsoft gun, make it unsafe to shoot, and will void all warranty claims.

### Store Your Gun Safely

Always store the Airsoft gun in a safe place, and out of reach of children. Always transport the Airsoft gun in a carrying case. Never display the Airsoft gun in a public place. Keep the safety engaged, and remove the magazine before storing the Airsoft gun.

**NOTE:** IT IS YOUR RESPONSIBILITY TO TAKE EVERY REASONABLE PRECAUTION TO ENSURE THE SAFE STORAGE AND TRANSPORTATION OF YOUR AIRSOFT GUN.

### Orange Tip

The orange tip on Airsoft guns helps Law Enforcement distinguish between the replica guns from their real firearm counterparts. Altering the coloration or markings required by state or Federal law so as to make the product look more like a firearm is dangerous and may be a crime. Operator assumes all risks and responsibility when doing so.

### Hazards of Being Mistaken for a Real Firearm

Airsoft guns have been mistaken by Police and Law Enforcement as real firearms. A confrontation with law enforcement while carrying an Airsoft gun can result in serious injury or even death. It is strongly advised to operate the Airsoft gun at a safe and legal location. In the event that you are approached by Law Enforcement personnel, you must comply with their instructions immediately to avoid an incident.

### Alcohol, Medications, and Drugs

Do not handle or operate your Airsoft gun while under the influence of alcohol, medication or drugs.

### Your Responsibility

Your Airsoft gun is well-engineered and manufactured to the highest standards. It was carefully inspected before it was packaged and shipped from our factory. Its safe use depends on you alone. You are the ultimate safety device. Like many other devices, your Airsoft gun is safe unless handled in an irresponsible or uneducated manner.



#### WARNING:

- Adult supervision is required for any person under the age of 18.

## SPECIFICATIONS

- Overall Length [Retracted] = 901.7 mm (35.5")
- Overall Length [Extended] = 984.26 mm (38.75")
- Inner Barrel Length = 439.74 mm (17.313")
- Inner Barrel Diameter = 6.05 mm
- Weight (without magazine) = 3.71 kg (8.19 lbs)
- Barrel thread = -14 mm
- Caliber = 6 mm
- Magazine Capacity = 40 rounds
- Rate of Fire = 14+ RPS
- Velocity = 118-125 MPS (390-410 FPS)\*
- Energy Output with 0.20g BB = 1.49 Joules
- Gas System = Force Velocity
- Propellant = Green Gas

\*Individual test results may vary depending on brand of BBs, ambient temperature, and chronograph used.

### Special Features:

- Gas operated recoil blow back
- Realistic construction & field stripping
- Full metal alloy receiver
- AK side rail
- Collapsible stock
- Blank fire mode
- Semi and full auto select fire
- Adjustable hop-up
- Pistol grip storage compartment

## PACKAGE CONTENTS

- 1 AKG-KCR Airsoft Gun
- 1 Sight Adjustment Tool
- 1 BB Loading Tool
- 1 Owners Manual
- 1 Cleaning Rod

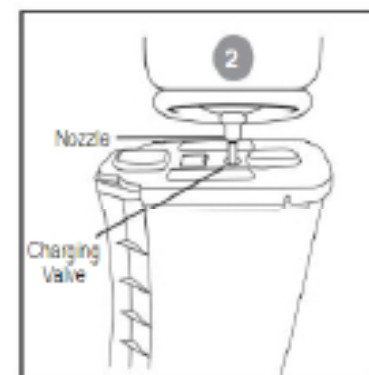
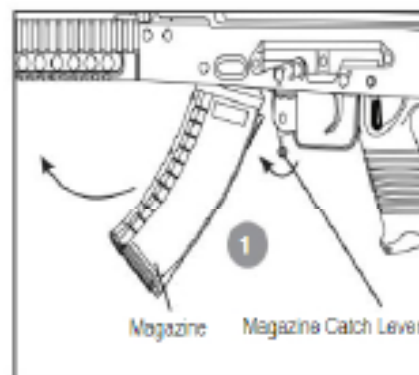


## CHARGING GAS

1. Release the magazine by pressing the magazine catch lever towards the magazine.
2. Push the gas canister nozzle into the charging valve. Make sure the canister is in a vertical position when charging.
3. Charge the magazine for approximately 30-40 seconds.

**Note:** It is normal to have minor leaking from the charging valve during charging due to high pressure built up inside the magazine. It is recommended to keep the gas release valve slightly oiled. Room temperature is the ideal temperature for shooting. You may experience a delayed action if the surrounding temperature drops below 68° F.

**Note:** Do not expose the magazine to direct sunlight or incinerate the magazine, as this may cause the magazine to burst. It is strongly recommended to empty the gas from the magazine after shooting. Be certain that the gas does not make contact with eyes or skin while being released, as any contact will cause cold burns.



### Green Gas safety tips:

- Check the canister for any cracks or leaks before using.
- Do not expose the canister to temperature over 104° F.
- Do not leave the canister directly over fire.
- Do not heat the canister.
- Keep the canister away from direct sunlight.
- Do not leave the canister in any type of vehicle.

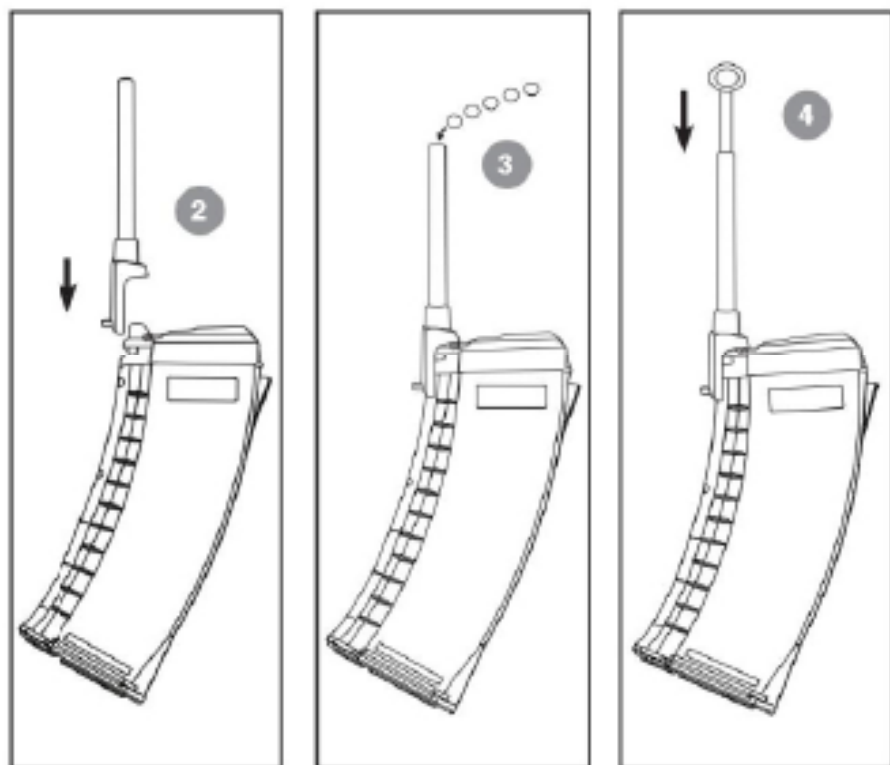


### WARNING:

- Avoid dropping the magazine. Sudden impact with a hard surface may cause damage to the magazine.

## LOADING BBS

1. Release the magazine from the Airsoft gun by pressing the magazine catch lever.
2. Fit the standard BB loader over the magazine feed lip.
3. Load the BBs into the BB loader.
4. Insert the plunger into the BB loader and push down to load BBs into the magazine.



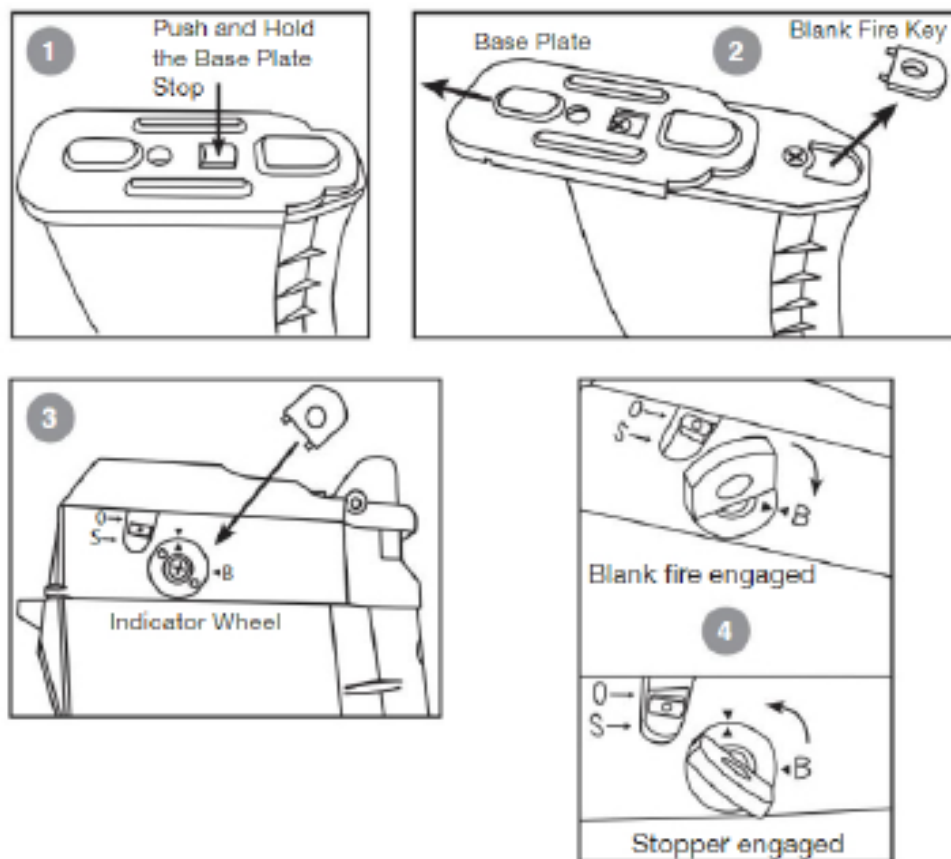
### ⚠ WARNING:

- Always use high quality 6mm BBs, weighing 0.2g or heavier. For best results use 0.25g KWA Perfect BBs. Never use recycled or low grade BBs to prevent damage to your gun.

## BLANK FIRE FEATURE

One of the standard features of the KWA AKG Series is the integrated Blank Fire Device implemented in every AKG magazine. This allows for the AKGs to be fired continuously without BB's for training use.

1. Push down and hold the Base Plate Stop to release the Magazine Base Plate.
2. Slide the Base Plate backwards to reveal the Blank Fire Key.
3. Insert the key into the Indicator Wheel.
4. Turn the indicator Wheel to the desired position as shown.



### ⚠ WARNING:

- Any loaded rounds can still fire with the Blank Fire Device activated. Always make sure the gun is unloaded by inspecting BOTH the chamber and magazine. Failure to do so may result in serious injury.

## FIRE SELECTOR SWITCH

### 1. Safe

Safe mode is the highest setting as indicated in the diagram below. In this mode the gun will not fire. For safety reasons, you should keep the switch in Safe mode at all times when you are not ready to fire.

### 2. Full Auto

Full Auto mode is the second setting. In this mode the gun will fire continuously as long as the trigger is engaged.

### 3. Semi-Auto

Semi-Auto mode is the lowest setting. In this mode the gun will fire one shot for each time you squeeze the trigger.



## FRONT SIGHT ADJUSTMENT

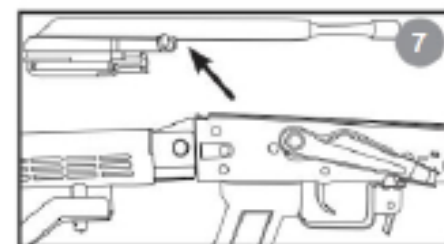
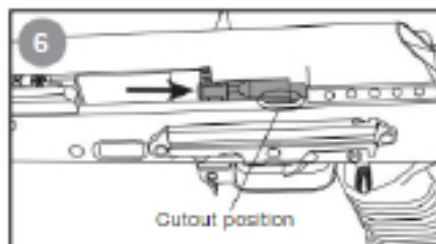
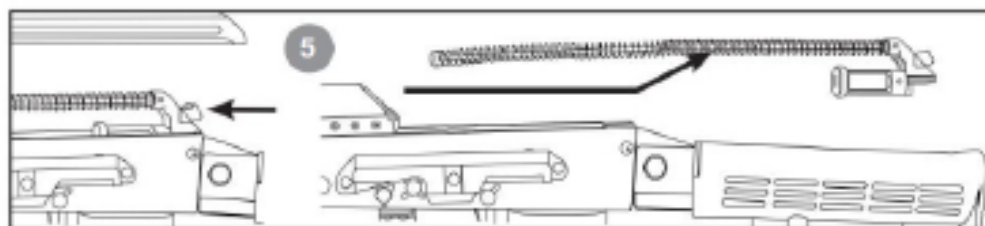
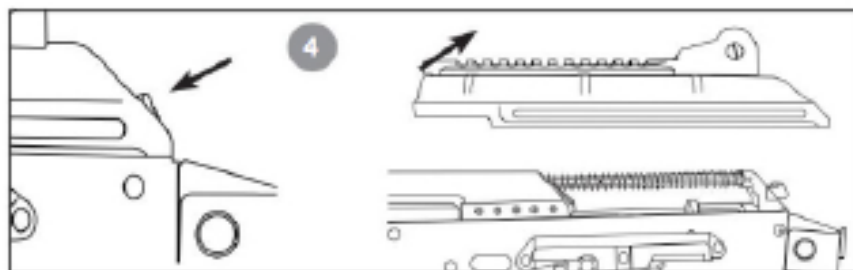
1. The front sight can be moved up and down to zero the sights.
2. Turn counter clockwise to raise the post.
3. Turn clockwise to lower the post.



- ⚠ WARNING:**
- Do not squeeze the trigger when switching the fire selector.
  - If turned too far, the front sight will come off.

## DISASSEMBLY

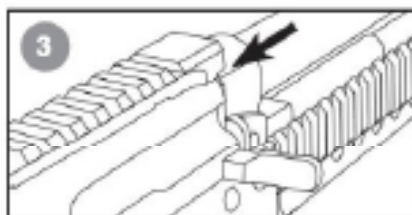
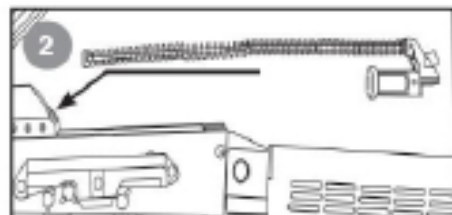
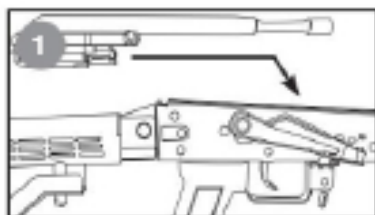
1. Remove magazine.
2. Charge the bolt to reset the hammer.  
Note: Check and clear the chamber of BB's.
3. Set the selector to semi-automatic.
4. Depress the spring guide to lift the cover.
5. Push the spring guide forward then up to remove the spring guide.
6. Pull the bolt carrier to the rearmost position. The bolt may need to be physically pushed to the cutout position to clear the hammer.
7. Lift the bolt carrier out of the lower receiver.



- ⚠ WARNING:**
- Always place the safety cap on the barrel tip when servicing your gun.

## ASSEMBLY

1. Re-install the bolt carrier onto receiver and push bolt to full forward position.
2. Re-install the recoil guide into opening of bolt carrier. Compress recoil guide and insert into recoil guide cutout on receiver.
3. Align front end of dust cover with receiver and push down until it locks.
4. Cycle bolt to ensure proper re-assembly.



## CLEANING

The Airsoft gun inner barrel should be cleaned after each shooting session. Regular cleaning prevents the effects of BB residue buildup that can hinder performance.

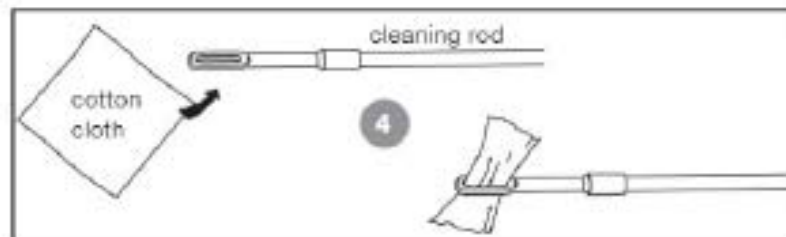
1. Ensure that the safety is engaged
2. Remove the magazine and clear the chamber of loaded BBs
3. Disassemble the receiver (see Disassembly section pg. 12)

### WARNING:

- Unload and clear the Airsoft gun before cleaning.
- DO NOT use spray silicone oil as a cleaning solution for the inner barrel.

## CLEANING (CONTINUED)

4. Steps to use cleaning rod:
  - a. Cut a piece of clean cotton cloth to 1 inch by 0.5 inch size. Insert one end of the cloth into the hole in the cleaning rod (adjust the length of cloth for smooth entry into the barrel)
  - b. Wind the cloth around the cleaning rod
  - c. Insert the cleaning rod into the inner barrel, and push the rod through.
  - d. Remove the cleaning rod and check the cotton cloth for dirt. Repeat steps a. through c. when necessary.
5. Oil the piston seal and hammer.



**NOTE:** Lubricating dry seals and o-rings are essential. Unload BBs from the magazine. Make sure the magazine is free of gas before lubricating the magazine's charging valve and release valve.

Use only the recommended 100% silicone oil, available for purchase at the Airsoft dealer where you purchased your KWA products. Any other type of lubricant may damage the products.

### WARNING:

- Unload and clear the Airsoft gun before cleaning.
- DO NOT use spray silicone oil as a cleaning solution for the inner barrel.

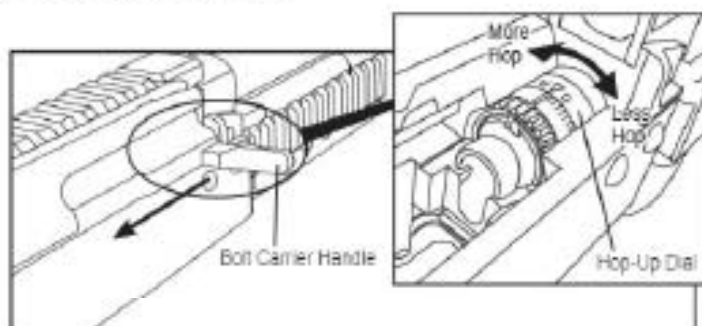


## HOP-UP SYSTEM

The Hop-Up device is one of KWA's standard features, giving Airsoft BBs greater stability, further travel, and increased accuracy. Airsoft BBs are light-weight and can be affected by wind when fired. With the Hop-Up system, the trajectory of the Airsoft BBs can be adjusted according to the shooting environment or surroundings.

### HOP-UP ADJUSTMENT

1. Test fire the gun to determine the amount of hopup needed.
2. Remove the Magazine.
3. Pull the bolt back to access the Hop-Up Dial.
4. Turn the Hop-Up Dial to adjust hop.
5. Left for more hop, right for less hop.
6. Test fire and adjust as needed.



### HOP-UP ADJUSTMENT POINT

BB TRAJECTORY PATTERN	ADJUSTMENTS
BB DROPS FREELY	TURN KNOB TO LEFT
BB TRAVELS AT SHORT TRAJECTORY PATH	TURN KNOB SLIGHTLY TO LEFT
BB TRAVELS DISTANCE AT FLAT TRAJECTORY PATH	NO ADJUSTMENT MADE
BB TRAVELS FLAT IN SHORT DISTANCE, THEN GOES UP IN CURVE AND DROPS FREELY	TURN KNOB SLIGHTLY TO RIGHT
BB TRAVELS AT UNSTABLE SPEED AND IRREGULAR PATH	TURN KNOB TO RIGHT

**WARNING:**  
- Do not release the bolt with hand in the chamber.

## BASIC TROUBLESHOOTING GUIDE FOR RIFLES

SYMPTOMS	POSSIBLE CAUSE	SOLUTIONS
Slide jams / Will not complete cycle	Dry internals	Add silicone to cylinder / main seal
Double feeds BBs into chamber / BB's roll out of barrel	Hop-up adjustment too tight	Release hop-up or replace bucking
BBs will not release from magazine / bent mag lip/ check BB condition	Bent magazine lip	Replace magazine lip
Leaking release valve & charging valve	Dry O-ring	Add silicone oil to valves / Replace valves
Slide stop engages while shooting BBs	Weak slide stop spring	Adjust tension
Magazine base plate will not lock	Broken base plate lock	Replace base plate lock
Magazine base leaking air	Worn out base seal	Replace magazine base seal
Cylinder will not load BBs into chamber	Broken cylinder tab	Replace cylinder
Trigger will not reset	Worn out trigger spring / trigger bow spring	Replace trigger spring / trigger bow spring

## OPERATING UNDER UNUSUAL CONDITIONS

Unusual conditions are defined as any condition requiring special maintenance. Perform maintenance outlined for the climate similar to your operational area.

### Extreme Cold:

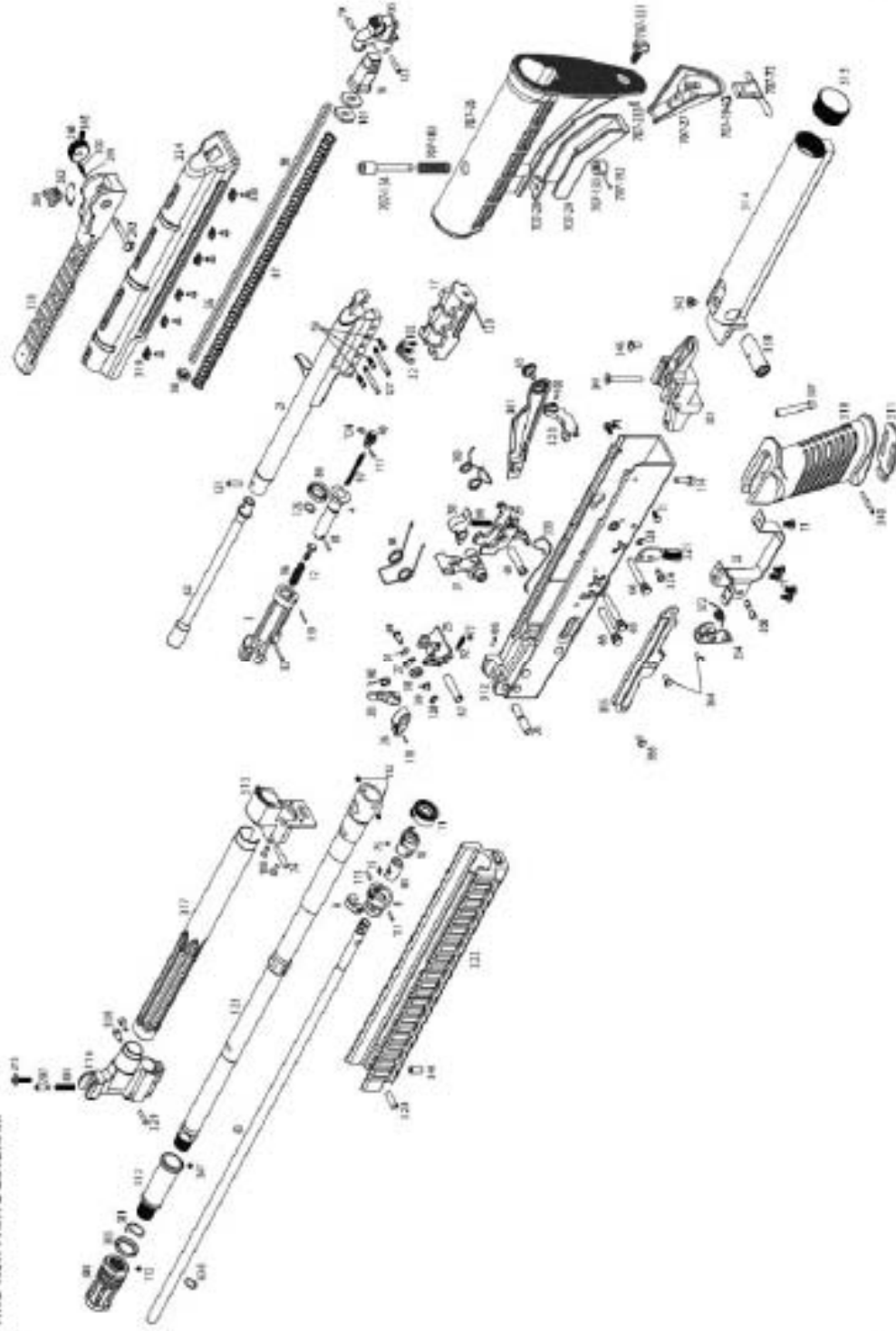
Operating an Airsoft gas gun in extremely cold temperatures is not recommended. Cold temperatures will cause the Hop-up Bucking to harden, reducing its effectiveness. Gas will not expand properly in cold temperatures, so both the cycling rate and power will be dramatically reduced.

### Extreme Heat:

Operating an Airsoft gas gun in extremely hot temperatures is also not recommended. Leaving the gun in direct sunlight for long periods of time, or operating in extremely hot areas will cause the gas to over-expand, damaging the internal workings of the gun. The increase in internal pressure from the expanding gas can also damage the seals and cause leaks in the magazine.

### Dust or Sand:

Dust or sand can get into a gas gun and cause malfunctions and/or excessive wear. Keep the gun covered whenever possible. Use lubricant sparingly, as lube naturally attracts dirt and other particles. After use in a dusty area, always field strip the gun (refer to Disassembly Section) and clean any areas you can reach with a soft, lint-free cloth.



## AKG-KCR PARTS LIST

Parts #	Description
AKGCR 3	IML
AKGCR 4	BRIFPERCH
AKGCR 5	FRONT BARREL BASE
AKGCR 6	FRONT BARREL CLAMP
AKGCR 8	ROFUP COVER/IML
AKGCR 11	ROFUP ALUMINUM IML SEAL
AKGCR 12	JET NOZZLE
AKGCR 16	ROFUP IMB
AKGCR 18	ROCOIL BUTTER
AKGCR 19	SOUL BASE
AKGCR 21	SOUL CARRIER
AKGCR 22	PISTON STOP
AKGCR 25	IMPACT BLOCK BASE
AKGCR 26	IMPACT HAMMER
AKGCR 27	IMPACT HAMMER LOCK
AKGCR 31	RETRIGGER
AKGCR 32	TRIGGER
AKGCR 33	SOFT
AKGCR 34	HAMMER
AKGCR 35	ROCOIL SPRING GUIDE W/SE
AKGCR 36	ROCOIL SPRING GUIDE STOP
AKGCR 40	CYLINDER FLID
AKGCR 43	TRIGGER/LIB
AKGCR 51	ROCOIL SPRING GUIDE
AKGCR 51A	IMPACT HAMMER STOP
AKGCR 52	IMPACT HAMMER STOP SPRING
AKGCR 63	INNER BARREL
AKGCR 63.0	INNER BARREL RING
AKGCR 65	SELECTOR/LIVER PIN
AKGCR 66	RECOIL/BLOCK/ROFUP IMB
AKGCR 67	IMPACT HAMMER RELEASE

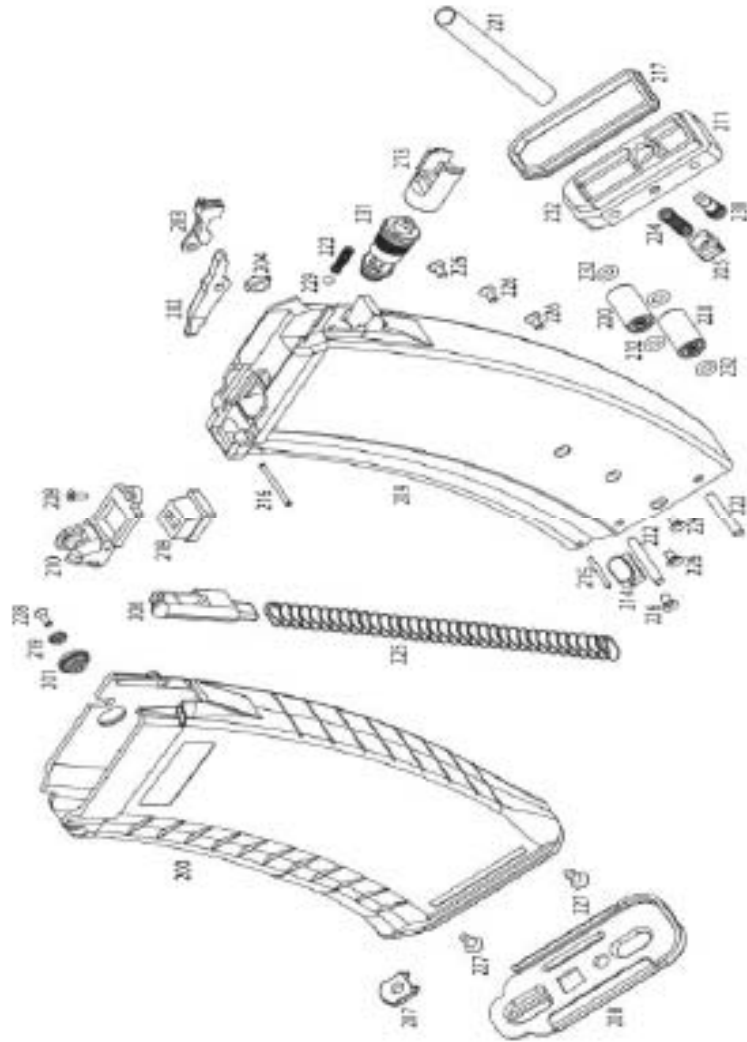
Parts #	Description
AKGCR 68	TRIGGER SLIDE
AKGCR 69	IMPACT HAMMER REST PIN
AKGCR 71	TRIGGER SPRINGS
AKGCR 74	OUTER BARREL BASE PIN
AKGCR 75	ROFUP AUGMENTED
AKGCR 76	FRONT TRIGGER PIN
AKGCR 77	IMPACT BLOCK REST SPRING PIN
AKGCR 78	SOUL CARRIER SPRINGS (ROCOIL)
AKGCR 79	ROCOIL SPRING IMB REST PIN
AKGCR 81	RETRIGGER SPRINGS PIN
AKGCR 82	JET NOZZLE PIN
AKGCR 85	ROFUP BLOCKING
AKGCR 86	ROCOIL SEAL
AKGCR 87	ROCOIL SPRING
AKGCR 88	HAMMER SPRING
AKGCR 89	SEAR SPRING
AKGCR 90	RETRIGGER SPRING
AKGCR 92	JET NOZZLE SPRING
AKGCR 93	PISTON RETURN SPRING
AKGCR 94	ROCOIL BUSHING AND
AKGCR 95	PISTON STOP SPRING
AKGCR 96	TRIGGER SPRING
AKGCR 98	SELECTOR/LIVER SET SCREW
AKGCR 99	FRONT TRIGGER PIN STOP
AKGCR 100	OUTER BARREL IMB SCREW
AKGCR 111	INNER BARREL IMB SCREWS
AKGCR 114	REAR TRIGGER/LIVER GUIDE
AKGCR 117	ROFUP PIN
AKGCR 118	IMPACT HAMMER REST PIN
AKGCR 119	INNER PISTON PIN
AKGCR 120	COVER PIN

Parts #	Description
AKGCR 121	SOUL CARRIER PIN
AKGCR 123	ROCOIL BUTTER PIN
AKGCR 124	CYLINDER FLID SEAL
AKGCR 126	INNER PISTON SEAL
AKGCR 127	SOUL CARRIER STOP/ROCK
AKGCR 128	IMPACT HAMMER PIN CLAMP
AKGCR 129	RETRIGGER
AKGCR 130	REAR/ROCOIL WINDAGE KNOB
AKGCR 132	ROCOIL STOP PIN
AKGCR 133	REAR/ROCOIL LEAF SPRING
AKGCR 134	WINDAGE PIN/D BUNKER
AKGCR 135	REAR/ROCOIL WINDAGE SCREW
AKGCR 137	FRONT SIGHT POST FLAMER
AKGCR 138	WINDAGE IMB SPRING
AKGCR 139	FRONT SIGHT FLAMER
AKGCR 140	GRIP
AKGCR 141	GRIP COVER PLATE
AKGCR 142	RECEIVER
AKGCR 143	OUTER BARREL BASE
AKGCR 144	STOCK TUBE
AKGCR 146	STOCK BUSH END/ROFUP
AKGCR 148	FRONT IMB IMB
AKGCR 149	Q-18 IMB
AKGCR 149A	IMB LOWER IMB
AKGCR 149B	IMB LOWER IMB II
AKGCR 150	SELECTOR/LIVER BASE
AKGCR 151	SELECTOR/LIVER (LEFT)
AKGCR 152	IMB
AKGCR 153	REAR TRIGGER
AKGCR 154	BUSH COVER
AKGCR 156	OUTER BARREL

## AKG-KCR PARTS LIST (CONTINUED)

Parts #	Description
AKGKCR 707-195	STOCK BOLT SPRING
AKGKCR 707-197	STOCK LEVER RETAINING PIN
AKGKCR 707-198	SMWEL COVER SCREW
AKGKCR 707-205	SMWEL COVER PIN

Parts #	Description
AKGKCR 335	SELECTOR LEVER PIN (LEFT)
AKGKCR 335	RAIL PIN
AKGKCR 339	FRONT BOLT W/SEAL PIN
AKGKCR 340	00 SLING MOUNT
AKGKCR 355	HAMMER GROUP LOCK SPRING
AKGKCR 356	FLASH HIDER W/SHIELD
AKGKCR 357	01HP BOLT
AKGKCR 360	COVER PLATE PIN
AKGKCR 361	STOCK TUBE SCREW LONG
AKGKCR 362	STOCK TUBE SCREW (SHORT)
AKGKCR 364	RAIL SET SCREW
AKGKCR 365	MAGLAGE MAG SET SCREW
AKGKCR 366	STOCK TUBE SCREW (SHORT)
AKGKCR 367	OUTER RAIL BELT EXTENSION SET SCREW
AKGKCR 368	MAGAZINE CATCH
AKGKCR 369	OPTICS SIDE RAIL
AKGKCR 361	SELECTOR LEVER (RIGHT)
AKGKCR 364	OPTICS RAIL (MAG SET SCREW)
AKGKCR 365	OPTICS RAIL (MAG) (LONG)
AKGKCR 366	MAGAZINE CATCH PIN
AKGKCR 392	MAGAZINE CATCH SPRING
AKGKCR 393	FLASH HIDER
AKGKCR 399	FLASH HIDER W/SHIELD SPRING
AKGKCR 707-26	RETRACTING STOCK
AKGKCR 707-27	SMWEL COVER
AKGKCR 707-28	STOCK LATCH SWATCH
AKGKCR 707-29	STOCK LEVER
AKGKCR 707-72	STOCK SWIVEL
AKGKCR 707-131	SMWEL SCREW
AKGKCR 707-133	STOCK LEVER RETAINER
AKGKCR 707-134	STOCK LEVER PIN



AKG-KCR MAGAZINE PARTS DIA GRAM

## AKG-KCR MAGAZINE PARTS LIST

Parts #	Description
AHGR20	MAGAZINE INNERPOST SCREWS
AHGR21	MAGAZINE BASE BOTTOM
AHGR22	MAGAZINE FEED UP SCREW
AHGR23	MAGAZINE STOP DAN DETENT
AHGR24	MAGAZINE CHIPPING WAVE
AHGR25	MAGAZINE RELEASEWAVE
AHGR26	MAGAZINE INNERPOST SEAL

Parts #	Description
AHGR200	MAGAZINE SHEET BODY
AHGR201	MAGAZINE STOP DAN
AHGR202	MAGAZINE STOP LEVER
AHGR203	MAGAZINE STOP INDEXAID
AHGR204	MAGAZINE STOP SELECTOR
AHGR205	MAGAZINE BASE PLATE STOP
AHGR206	MAGAZINE FOLLOWER
AHGR207	MAGAZINE STOP KEY
AHGR208	MAGAZINE BASE PLATE
AHGR209	MAGAZINE BODY
AHGR210	MAGAZINE FEED UP
AHGR211	MAGAZINE BASE BLOCK
AHGR212	MAGAZINE RELEASE VALVE
AHGR213	MAGAZINE FOLLOWER STOP
AHGR214	MAGAZINE FOLLOWER STOP PIN
AHGR215	MAGAZINE FEED UP PIN
AHGR216	MAGAZINE BASE SEAL
AHGR217	MAGAZINE NOZZLE SEAL BRACER
AHGR218	MAGAZINE STOP DAN
AHGR219	MAGAZINE INNER POST TUBE
AHGR220	MAGAZINE GAS EXPANSION TUBE
AHGR221	MAGAZINE BASE PINS
AHGR222	MAGAZINE STOP SPRING
AHGR223	MAGAZINE BASE PLATE STOP SPRING
AHGR224	MAGAZINE FOLLOWER STOP SPRING
AHGR225	MAGAZINE FOLLOWER STOP SPRING