



cometa

imported by
AIRFORCE
INTERNATIONAL



Fenix

Air Rifle Safety & Operation Manual

**READ ALL INSTRUCTIONS
AND WARNINGS BEFORE
USING THIS AIRGUN.**

⚠ WARNING: This air rifle is not a toy and can cause serious injury or death.

CAUTION: The airgun should be used only by adults or under adult supervision.

NOTICE: Always wear eye and ear protection when using this airgun. This includes people in the immediate vicinity.

⚠ WARNING: Always assume the air rifle is loaded. Never leave the airgun loaded if it is not going to be used.

⚠ WARNING: Always point the air rifle in a safe direction and be aware of the backstop.

⚠ WARNING: Do not point at anything you do not intend to shoot.

⚠ WARNING: Do not fire at a target that allows ricochets or deflections. Do not fire into or at water.

NOTICE: Be certain that each pellet you use is in the proper caliber for this airgun. Never re-use pellets.

⚠ WARNING: Pellets contain lead. Follow all pellet package safety directions. Wash hands thoroughly after handling. Do not put in mouth.

CAUTION: Store the airgun (unloaded) and ammunition in separate, safe places, out of reach of children.

⚠ WARNING: Do not walk, jump or run when carrying a loaded air rifle. Keep your fingers away from the trigger and do not load the rifle until you are ready to fire.

CAUTION: Unload the airgun before putting it in a vehicle.

NOTICE: Do not remove from its case or show the air rifle in public.

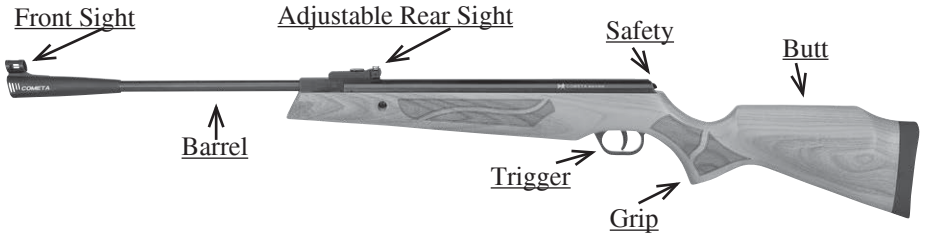
NOTICE: Buyer and user have the duty to obey all laws about the use and ownership of this airgun.

⚠ WARNING: Anytime you carry or transport an airgun, make sure the safety is on and the gun is unloaded. Under no circumstances carry or transport when loaded.

NOTICE: It is recommended that you fully inspect the airgun on a regular basis.

FAILURE TO OBSERVE THE ABOVE WARNINGS & CAUTIONS CAN RESULT IN DAMAGE TO YOUR AIR RIFLE, ACCIDENTAL DEATH OR SERIOUS INJURY. SAFE SHOOTING IS EVERYONE'S RESPONSIBILITY

PARTS OF THE FENIX 400 AIR RIFLE



MAINTENANCE

⚠ WARNING: Make sure the gun is unloaded and uncocked before performing maintenance tasks and always keep the muzzle pointed in a safe direction.

⚠ WARNING: Do not oil the barrel or allow oil to enter the barrel.

When not in use for a prolonged period of time. Oil the external metal parts with a lubricant specifically for firearms

Never leave the airgun loaded if it is not going to be used .

Check the tightness of all screws, bolts, and other parts as part of your normal pre-shooting routine.

Lubricate all moving parts and external metal parts of the rifle lightly with a gun lubricant. Use a tiny amount and never put oil in or near the barrel.

Periodically clean the barrel with a non-metallic cleaning rod.

For prolonged storage, lubricate the exterior metal parts with a quality gun oil.

Prevent dangerous situations by keeping your airgun clean and in proper working condition.

CAUTION: Never store your airgun loaded.

NOTICE: Always inspect your airgun closely if it has been stored over a long period or when it has been shipped.

NOTICE: READ THIS MANUAL ENTIRELY BEFORE LOADING OR USING YOUR AIRGUN

OPERATING INSTRUCTIONS

Loading:

⚠ WARNING: Before loading your airgun, make sure it is pointed in a safe direction.

⚠ WARNING: Once the gun is loaded and the action closed, keep the safety on, finger away from the trigger and muzzle pointed in a safe direction until ready to shoot.

To load the airgun, grip the stock behind the trigger guard and the barrel behind the front sight assembly and pull the barrel down to its full extent (Fig. 1). Never release the barrel while the action is open.

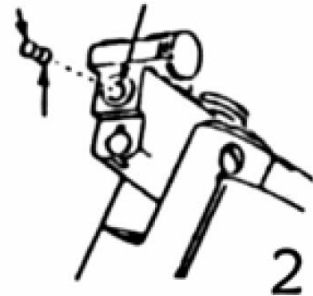


CAUTION: Verify that the pellets are the correct caliber and not deformed or otherwise altered.

Insert the pellet in the breech and return the barrel to its original position (Fig. 2).

⚠ WARNING: The airgun is now loaded and cocked with the safety in the on position.

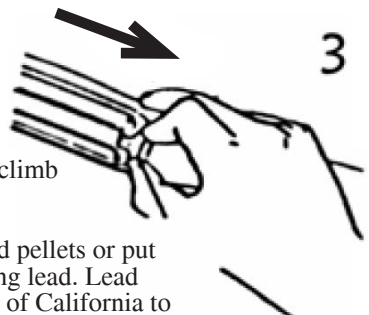
CAUTION: Never fire or attempt to fire the gun unless a pellet has been loaded.



NOTICE: Verify that the safety is on/pulled out. (Fig. 3).

⚠ WARNING: Do not travel, run, jump or climb with a loaded airgun. Do not store gun loaded.

⚠ WARNING: Do not inhale dust from lead pellets or put lead pellets in the mouth. Wash hands after handling lead. Lead pellets contain lead, a chemical known to the State of California to cause cancer and birth defects (or other reproductive harm).





WARNING: ALWAYS KEEP THE MUZZLE POINTED IN A SAFE DIRECTION

Shooting

CAUTION: Appropriate eye and ear protection should be worn when firing any airgun.

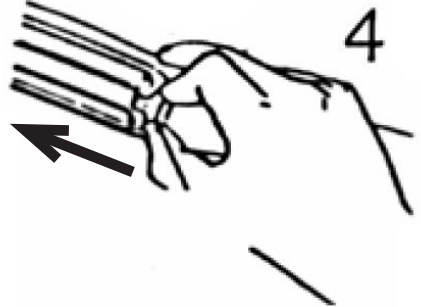
CAUTION: Be aware of the backstop behind your target.

⚠ WARNING: Before taking a shot, make sure the airgun is pointed in a safe direction and aimed at target.

Push the Safety Lever to the “Fire” Position (Fig. 4). The rifle is ready to fire.

Gently pull trigger until action fires.

NOTICE: Do not attempt to fire the airgun while the action is open.



Sight Adjustment

Your airgun is equipped with an adjustable rear sight (Fig. 5). This will allow you to adjust for various pellets and distances.

Adjustments:

Shot too high:

Turn the knob located on the top of the sight to the RIGHT.

Shot too low:

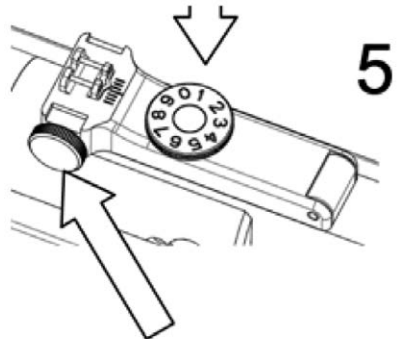
Turn the knob located on the top of the sight to the LEFT.

Shot to the left:

Turn the knob located on the side of the sight to the RIGHT.

Shot to the right:

Turn the knob located on the side of the sight to the LEFT.

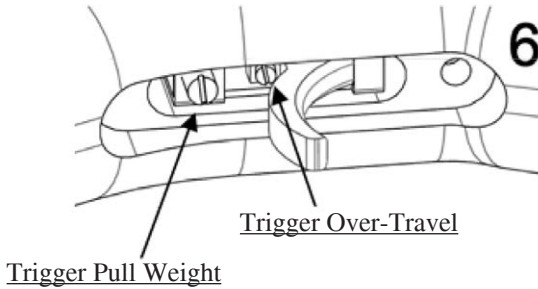


Your airgun can also be fitted with optics such as scopes and laser sights with the addition of optional mount/rings for 11mm dovetail rail.



WARNING: BE SURE THE AIRGUN IS UNLOADED AND THE SAFETY ENGAGED BEFORE PERFORMING MAINTENANCE. KEEP MUZZLE POINTED IN A SAFE DIRECTION.

Trigger Adjustment



Both trigger pull and trigger over-travel are adjustable on your air rifle (Fig. 6).

⚠ WARNING: Make sure the rifle is unloaded, discharged and the muzzle pointed in a safe direction before attempting these adjustments.

NOTICE: Make small adjustments and then test. Be careful not to go past the stop on each adjustment screw.

The screw immediately behind the trigger can be turned to increase or decrease the overtravel of the trigger.

The screw at the rear of the trigger group can be turned to adjust the trigger pull.

CAUTION: *If you are not comfortable with making these adjustments yourself, please visit your dealer or call our customer service department at 877-247-4867.*

FENIX 400 AIR RIFLE SPECIFICATIONS:

Action	Single Shot Break Barrel
Caliber	0.177(4.5mm), 0.22(5.5mm), or 0.25(6.35mm)
Length44.9 inches
Rails	11mm Dovetail
Safety	Automatic
Sights	Adjustable Rear/Fiber Optic Front
Stock	Wood Finish
Trigger	Adjustable
Velocity	Up to 1100 fps
Weight	7.5 lbs

Warranty For Cometa Airguns Sold In The United States

Mailing the enclosed warranty card within 60 days of purchase entitles the original buyer to a warranty covering defects in material and workmanship for one year. Any AirForce International airgun covered by this warranty will be repaired or replaced at the discretion of AirForce International, should a defect in material or workmanship be found. Normal wear parts such as seals and springs are not covered.

Repairs may only be made by AirForce International or an authorized service station. This warranty becomes invalid for any gun that is disassembled or modified in any way not specifically authorized by AirForce International. The one year warranty also becomes invalid for any gun that has been damaged by abuse or improper handling. For shipping instructions for warranty service, please call 1-877-247-4867.



imported by
AIRFORCE
INTERNATIONAL

www.airforceinternational.com

877-247-4867 • 817-451-8966 • (fax) 817-451-1613

P.O. Box 2478 • Fort Worth, TX 76113

Photographs, descriptions and other information are purely indicative. AirForce International reserves the right to change, modify or discontinue products or features at any time.



imported by
AIRFORCE
INTERNATIONAL

www.airforceinternational.com

877-247-4867 • 817-451-8966 • (fax) 817-451-1613

P.O. Box 2478 • Fort Worth, TX 76113

Photographs, descriptions and other information are purely indicative. AirForce International reserves the right to change, modify or discontinue products or features at any time.

Rev. 08/12