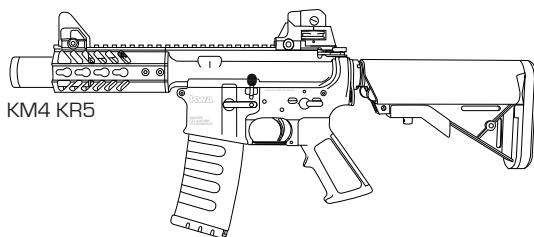
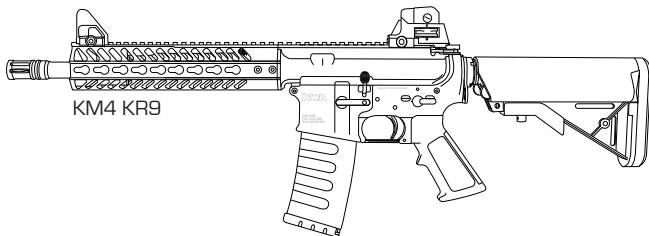


KWA[®]

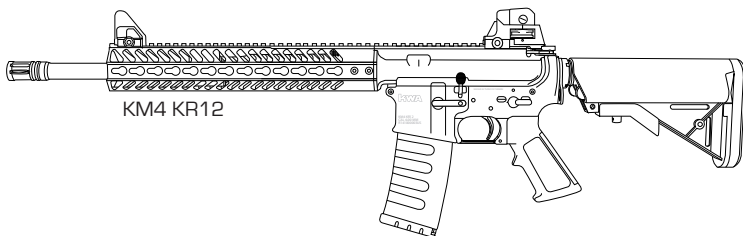
KM4 KR SERIES



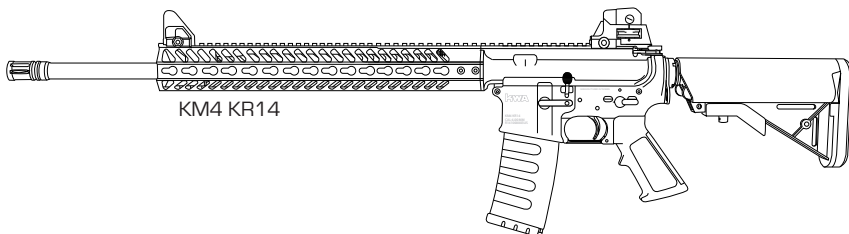
KM4 KR5



KM4 KR9



KM4 KR12



KM4 KR14

OPERATOR'S MANUAL

Please read this manual carefully before using the Airsoft gun.

TABLE OF CONTENTS

Warranty 3-4

Use of this Manual / Safety Guidelines 5-6

Specifications and Package Contents:

 KM4 KR5.....7

 KM4 KR9.....8

 KM4 KR12.....9

 KM4 KR14.....10

Battery Installation and Fuse.....11

Loading BBs.....12

Using KWA High Performance BB Loader.....13

Loading Magazine / Fire Selector Switch.....14

Hop-Up System.....15

Front and Rear Sight Adjustment.....16

Disassembly / Assembly17

Cleaning18

Troubleshooting / Operating Under Unusual Conditions19

Parts Diagram and Parts Lists:

 KM4 KR5 Parts Diagram..... 20-21

 KM4 KR5 Parts List..... 22-23

 KM4 KR9 Parts Diagram..... 24-25

 KM4 KR9 Parts List..... 26-27

 KM4 KR12 Parts Diagram..... 28-29

 KM4 KR12 Parts List..... 30-31

 KM4 KR14 Parts Diagram..... 32-33

 KM4 KR14 Parts List..... 34-35

 KWA 2GX Gearbox Parts Diagram36

 KWA 2GX Gearbox Parts List37

 K120 Magazine Parts Diagram and Parts List.....38

KWA[®]

WARRANTY

KWA PERFORMANCE INDUSTRIES, INC.

18571 E. Gale Ave.

City of Industry, CA 91748

(626) 581-1777

THANK YOU FOR PURCHASING A KWA PERFORMANCE INDUSTRIES, INC. PRODUCT. KWA Performance Industries, Inc. is committed to serving our customers with the finest quality products, the highest level of service, and the best customer satisfaction. Because of this, we offer a 90 day warranty on all KWA products we import and distribute.

Warranty Coverage

Except as specified below, this warranty covers all defects in material and workmanship in KWA products that occur during the above warranty period. The following are not covered by the warranty: (1) Any product which is not imported and distributed in the U.S.A. by KWA PERFORMANCE INDUSTRIES, INC. (2) Any products not purchased in the U.S.A. from a KWA AUTHORIZED RESELLER. If you are uncertain as to whether a reseller is a KWA AUTHORIZED RESELLER, please contact KWA PERFORMANCE INDUSTRIES, INC. as listed above or visit our website www.kwausa.com/where-to-buy (3) Damages, deterioration, or malfunction resulting from: a) An accident, act of nature, abuse, misuse, neglect, opening of or modification or failure to follow instructions supplied with the product. b) Repair or attempted repair by anyone not authorized by KWA PERFORMANCE INDUSTRIES, INC. c) Removal of the orange safety tip. (4) Use of the product outside the U.S.A. (5) Damaged batteries or improper use of bullets (BBs), or non approved propellants (ie. Propane, Red Gas, 134a...etc.) (6) Use in industrial, commercial, and/or professional applications.

What KWA Will Pay For

If your KWA product is found to be defective by KWA Performance Industries, Inc. during the applicable warranty period from the date of original purchase, KWA Performance Industries, Inc. will repair, or at its option, replace with new, used, or equivalent model, the defective product without charge for parts or labor.

How To Obtain Warranty Service

If your product needs service, it may be taken or shipped to KWA Performance Industries, Inc. The following procedures apply whenever your unit must be transported for warranty service:

- You must go to the Help Desk at www.kwausa.com/support to obtain an RMA number. THE RMA NUMBER MUST BE CLEARLY MARKED ON THE OUTSIDE OF THE PACKAGE. PACKAGES WITHOUT AN RMA NUMBER CLEARLY MARKED WILL BE REFUSED AND RETURNED TO THE SENDER.
- You are responsible for transporting your unit or arranging for its transportation.
- If shipment of your unit is required; you must pay the initial shipping fee, but we will pay the return shipping charge if the repairs are covered by the warranty.
- WHEN RETURNING YOUR UNIT FOR WARRANTY SERVICE, A COPY OF THE ORIGINAL SALES RECEIPT MUST BE ATTACHED.
- You must include the following: RMA number, your name, address, daytime telephone number, model and serial number (if applicable) of the product and a description of the problem.

This Warranty is Only Valid in the United States

If your product does not require service, but you have questions regarding its operation, please contact our Help Desk at www.kwausa.com/support.

THIS WARRANTY IS EXPRESSLY MADE IN LIEU OF ALL OTHER WARRANTIES, EXPRESSED OR IMPLIED, INCLUDING WITHOUT LIMITATION, WARRANTIES OF MERCHANTABILITY AND FITNESS FOR A PARTICULAR PURPOSE.

OUR LIABILITY IS LIMITED TO THE REPAIR OR REPLACEMENT, AT OUR OPTION, OF ANY DEFECTIVE PRODUCT AND SHALL IN NO EVENT INCLUDE INCIDENTAL OR CONSEQUENTIAL COMMERCIAL OR PROPERTY DAMAGES OF ANY KIND. WE ARE NOT RESPONSIBLE FOR PRODUCTS LOST, STOLEN AND/OR DAMAGED DURING SHIPPING.

SOME STATES DO NOT ALLOW LIMITATIONS ON HOW LONG AN IMPLIED WARRANTY LASTS AND/OR DO NOT ALLOW THE EXCLUSION OF INCIDENTAL OR CONSEQUENTIAL DAMAGES, THE ABOVE LIMITATIONS AND EXCLUSIONS MAY NOT APPLY TO YOU.

This warranty gives you specific legal rights, but you may also have other rights which vary from state to state. This Warranty may not be altered other than in writing signed by an officer of KWA Performance Industries, Inc.

USE OF THIS MANUAL

Before operating the Airsoft gun, read this manual in its entirety. Important safety topics and tips are discussed throughout all of the chapters. It's important that the operator know the principles of gun handling, safety, and operation prior to firing the Airsoft gun.

SAFETY GUIDELINES

Safety Distance

The effective shooting range is approximately 175 feet. BBs fired from this Airsoft gun may travel farther than intended. Make certain that you have an adequate backstop.

Eye Protection

Eye protection should be worn at all times when both shooting and maintaining your Airsoft gun. Protect your eyes from BBs under pressure while performing maintenance on your Airsoft gun.

Assume Every Gun is Always Loaded

Until you are certain the chamber is empty, treat every gun as if it were loaded. Do not assume the chamber is empty based on your memory or someone else's words. Always remove the magazine and visually check to confirm the chamber is empty.

Beware of Barrel Obstructions

Ensure the Airsoft gun barrel is free of obstructions before you fire the gun. Even the smallest obstruction such as dirt, dust, or a stuck cleaning patch can cause a jam, misfire, or malfunction.

Muzzle Control

Always keep the muzzle of the gun pointed in a safe direction. Never point the muzzle at a person or object that you do not intend to shoot.

Keep Your Safety On

Keep the gun's safety on until your sights are aligned on your target and you are ready to fire.

Keep Your Finger Off The Trigger

Keep your finger off the trigger and out of the trigger guard until your sights are aligned on your target and you are ready to fire.

Identify Your Target and Backstop

Before you pull the trigger, make certain of your target and what is beyond it. The Airsoft gun should never be fired at surfaces such as rocks, glass, water, or other hard surfaces where BBs are likely to ricochet in unpredictable directions.



WARNING:

- Airsoft BBs can be a choking hazard. Keep them away from children.
- Failure to follow safety guidelines may result in serious injury.

SAFETY GUIDELINES (CONTINUED)

Failure To Fire

If the Airsoft gun fails to fire, misfires, or malfunctions, do not look into the gun barrel. BBs can become lodged into the chamber, and serious eye injury may occur.

Maintain Your Gun Properly

Performing proper maintenance, as outlined in this manual, ensures that your Airsoft gun will be safe to shoot and will perform to its designed specifications for many years. Alterations, modifications or adjustments may damage your Airsoft gun, make it unsafe to shoot, and will void all warranty claims.

Store Your Gun Safely

Always store the Airsoft gun in a safe place, and out of reach of children. Always transport the Airsoft gun in a carrying case. Never display the Airsoft gun in a public place. Keep the safety engaged, and remove the magazine before storing the Airsoft gun.

NOTE: IT IS YOUR RESPONSIBILITY TO TAKE EVERY REASONABLE PRECAUTION TO ENSURE THE SAFE STORAGE AND TRANSPORTATION OF YOUR AIRSOFT GUN.

Orange Tip

The orange tip on Airsoft guns help Law Enforcement distinguish the replica guns from their real firearm counterparts. Altering the coloration or markings required by state or Federal law so as to make the product look more like a firearm is dangerous and may be a crime. Operator assumes all risks and responsibility when doing so.

Hazards of Being Mistaken for a Real Firearm

Airsoft guns have been mistaken by Police and Law Enforcement as real firearms. A confrontation with law enforcement while carrying an Airsoft gun can result in serious injury or even death. It is strongly advised to operate the Airsoft gun at a safe and legal location. In the event that you are approached by Law Enforcement personnel, you must comply with their instructions immediately to avoid an incident.

Alcohol, Medications, and Drugs

Do not handle or operate your Airsoft gun while under the influence of alcohol, medication or drugs.

Your Responsibility

Your Airsoft gun is well-engineered and manufactured to the highest standards. It was carefully inspected before it was packaged and shipped from our factory. Its safe use depends on you alone. You are the ultimate safety device. Like many other devices, your Airsoft gun is safe unless handled in an irresponsible or uneducated manner.



WARNING:

- Adult supervision is required for any person under the age of 18.

SPECIFICATIONS: KM4 KR5

- Overall Length [Retracted] = 590.55 mm (23.25")
- Overall Length [Extended] = 673.1 mm (26.5")
- Outer Barrel Length = 139.7 mm (5.5")
- Inner Barrel Length = 198 mm (7.8")
- Inner Barrel Diameter = 6.05 mm
- Weight (without magazine) = 2.8 kg (6.2 lbs)
- Barrel thread = -14 mm
- Caliber = 6 mm
- Magazine Capacity = 120 rounds
- Rate of Fire = 20+ RPS
- Velocity = 90~107 MPS (320~350 FPS)*
- Energy Output with 0.20g BB = 1.07 Joules
- Power Source: 9.6v NiMh, 7.4v or 11.1v 15c Li-Po

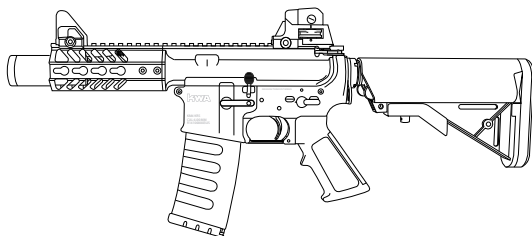
*Individual test results may vary depending on brand of BBs, ambient temperature, and chronograph used.

Special Features:

- 5" Free Float KeyMod Rail System - 4 Key
- Includes 2" Polymer Rail Segments (2)
- Adjustable Front and Rear Sights
- Semi and Full Auto Select Fire
- KWA 2GX Gearbox
- KWA 2G High Performance Bucking
- Adjustable Hop-Up
- Full Metal Alloy Flat Top Upper Receiver
- Mock Gas Piston Unit
- Full Metal Lower Receiver

PACKAGE CONTENTS: KM4 KR5

- | | |
|---------------------------|----------------------------|
| 1 KM4 KR5 Airsoft Gun | 2 2" Polymer Rail Segments |
| 1 120 Round K120 Magazine | 1 Cleaning Rod |
| 1 Sight Adjustment Tool | 1 Owners Manual |
| 2 Disassembly Tools | 1 Safety Cap |



SPECIFICATIONS: KM4 KR9

- Overall Length [Retracted] = 730.3 mm (28.75")
- Overall Length [Extended] = 812.8 mm (32")
- Outer Barrel Length = 266.7 mm (10.5")
- Inner Barrel Length = 309 mm (12.17")
- Inner Barrel Diameter = 6.05 mm
- Weight (without magazine) = 3.0 kg (6.69 lbs)
- Barrel thread = -14 mm
- Caliber = 6 mm
- Magazine Capacity = 120 rounds
- Rate of Fire = 20+ RPS
- Velocity = 100~107 MPS (330~350 FPS)*
- Energy Output with 0.20g BB = 1.07 Joules
- Power Source: 9.6v NiMh, 7.4v or 11.1v 15c Li-Po

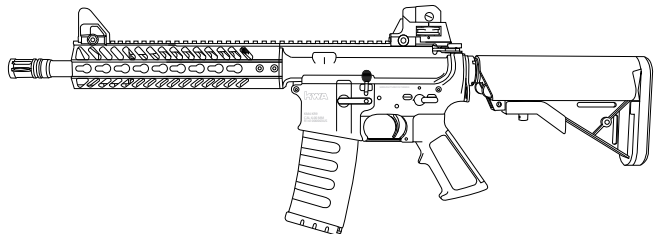
*Individual test results may vary depending on brand of BBs, ambient temperature, and chronograph used.

Special Features:

- 9" Free Float KeyMod Rail System - 9 Key
- Includes 2" Polymer Rail Segments (2)
- Adjustable Front and Rear Sights
- Semi and Full Auto Select Fire
- KWA 2GX Gearbox
- KWA 2G High Performance Bucking
- Adjustable Hop-Up
- Full Metal Alloy Flat Top Upper Receiver
- Mock Gas Piston Unit
- Full Metal Lower Receiver

PACKAGE CONTENTS: KM4 KR9

- | | |
|---------------------------|----------------------------|
| 1 KM4 KR9 Airsoft Gun | 2 2" Polymer Rail Segments |
| 1 120 Round K120 Magazine | 1 Cleaning Rod |
| 1 Sight Adjustment Tool | 1 Owners Manual |
| 2 Disassembly Tools | 1 Safety Cap |



SPECIFICATIONS: KM4 KR12

- Overall Length [Retracted] = 847.8 mm (33.38")
- Overall Length [Extended] = 929 mm (36.97")
- Outer Barrel Length = 406.4 mm (16")
- Inner Barrel Length = 426 mm (16.77")
- Inner Barrel Diameter = 6.05 mm
- Weight (without magazine) = 3.18 kg (7.0 lbs)
- Barrel thread = -14 mm
- Caliber = 6 mm
- Magazine Capacity = 120 rounds
- Rate of Fire = 20+ RPS
- Velocity = 116~125 MPS (380~410 FPS)*
- Energy Output with 0.20g BB = 1.45 Joules
- Power Source: 9.6v NiMH, 7.4v or 11.1v 15c Li-Po

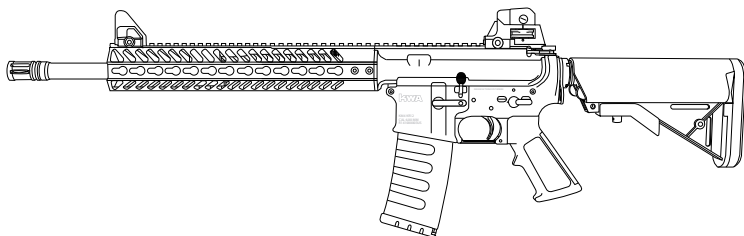
*Individual test results may vary depending on brand of BBs, ambient temperature, and chronograph used.

Special Features:

- 12" Free Float KeyMod Rail System - 13 Key
- Includes 2" Polymer Rail Segments (2)
- Adjustable Front and Rear Sights
- Semi and Full Auto Select Fire
- KWA 2GX Gearbox
- KWA 2G High Performance Bucking
- Adjustable Hop-Up
- Full Metal Alloy Flat Top Upper Receiver
- Mock Gas Piston Unit
- Full Metal Lower Receiver

PACKAGE CONTENTS: KM4 KR12

- | | |
|---------------------------|----------------------------|
| 1 KM4 KR12 Airsoft Gun | 2 2" Polymer Rail Segments |
| 1 120 Round K120 Magazine | 1 Cleaning Rod |
| 1 Sight Adjustment Tool | 1 Owners Manual |
| 2 Disassembly Tools | 1 Safety Cap |



SPECIFICATIONS: KM4 KR14

- Overall Length [Retracted] = 946.15 mm (37.25")
- Overall Length [Extended] = 1028.7 mm (40.5")
- Outer Barrel Length = 508 mm (20")
- Inner Barrel Length = 523 mm (20.59")
- Inner Barrel Diameter = 6.05 mm
- Weight (without magazine) = 3.3 kg (7.3 lbs)
- Barrel thread = -14 mm
- Caliber = 6 mm
- Magazine Capacity = 120 rounds
- Rate of Fire = 20+ RPS
- Velocity = 116~125 MPS (380~410 FPS)*
- Energy Output with 0.20g BB = 1.45 Joules
- Power Source: 9.6v NiMH, 7.4v or 11.1v 15c Li-Po

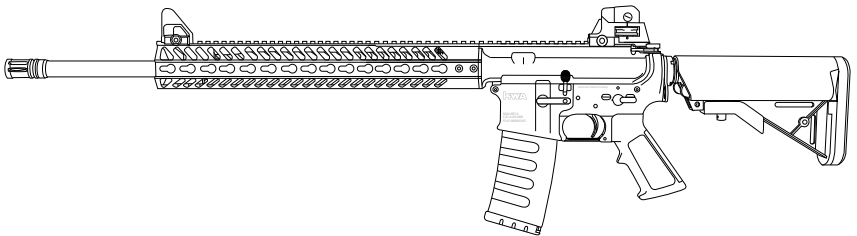
*Individual test results may vary depending on brand of BBs, ambient temperature, and chronograph used.

Special Features:

- 14" Free Float KeyMod Rail System - 15 Key
- Includes 2" Polymer Rail Segments (2)
- Adjustable Front and Rear Sights
- Semi and Full Auto Select Fire
- KWA 2GX Gearbox
- KWA 2G High Performance Bucking
- Adjustable Hop-Up
- Full Metal Alloy Flat Top Upper Receiver
- Mock Gas Piston Unit
- Full Metal Lower Receiver

PACKAGE CONTENTS: KM4 KR14

- | | |
|---------------------------|----------------------------|
| 1 KM4 KR14 Airsoft Gun | 2 2" Polymer Rail Segments |
| 1 120 Round K120 Magazine | 1 Cleaning Rod |
| 1 Sight Adjustment Tool | 1 Owners Manual |
| 2 Disassembly Tools | 1 Safety Cap |

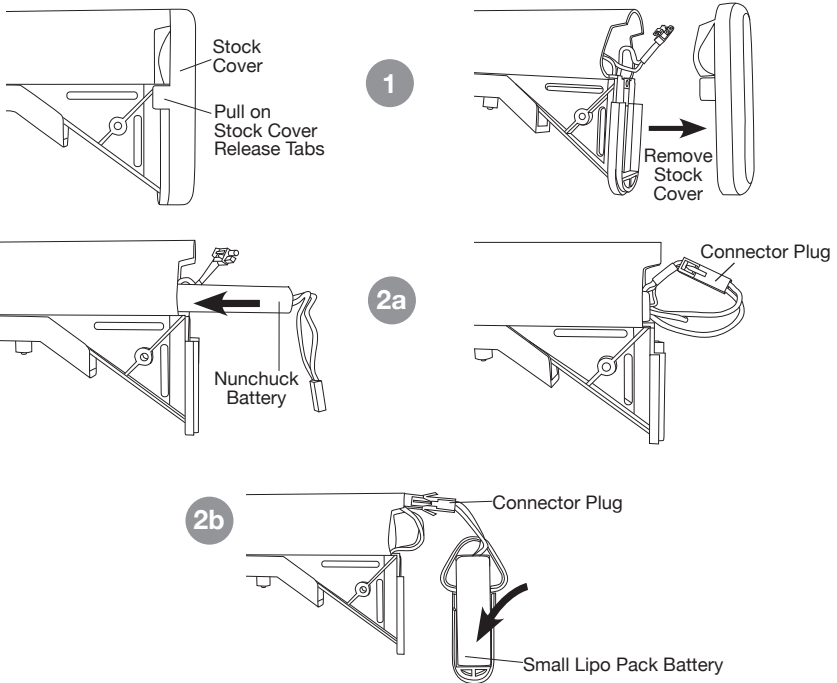


BATTERY INSTALLATION



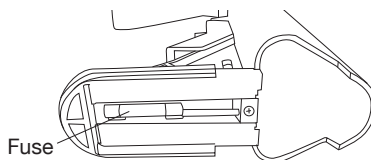
WARNING: Stock must be fully collapsed before opening the stock cover. Do not remove the stock completely from the gun, doing so will disconnect the terminal inside

1. Set fire selector to safe mode. Place the safety cap on the barrel end. Gently pull the butt plate release tabs to remove the cover.
- 2a. Two types of battery can be used, Nunchuck battery and small Li-Po pack battery. When using a Nunchuck battery, place the battery into the stock. Push the connector plugs together firmly until they click into place.
- 2b. When using a small Li-Po pack battery, place the battery into the butt plate. Push the connector plugs together firmly until they click into place. *Make sure the small Li-Po pack battery size is no larger than 4"H x 1.25"W x 0.62"D
3. Replace the butt plate by pressing it onto the stock until the retention tabs on the side snap into place.



FUSE

To replace the fuse, remove the butt stock cover and replace fuse with up to 20A glass fuse.



LOADING BBS

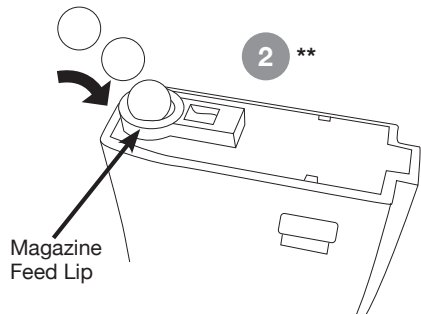
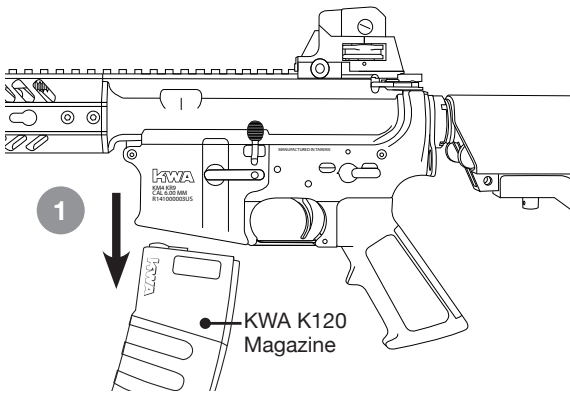
1. Release the magazine from the Airsoft gun by pressing the magazine catch button.
2. Feed the BBs into the magazine through the magazine feed lip as shown.

***NOTE:** Leave a 3mm clearance between the BBs and the top of the magazine lip. Overloading will cause jamming.

****NOTE:** The use of a BB loader, such as the KWA High Performance BB Loader, can help make the loading process easier and faster. (See page 13)

Loading safety tips:

- Switch the selector to safe
- Be sure the safety cap is on
- Keep your finger off the trigger at all times

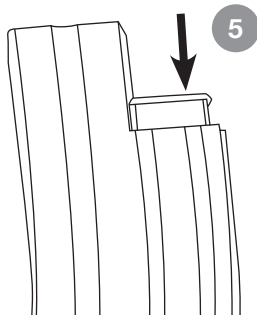
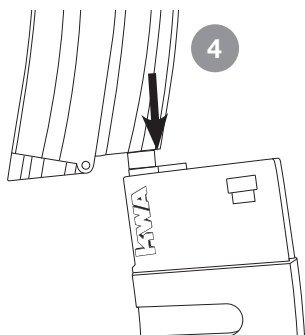
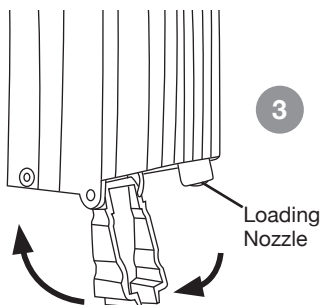
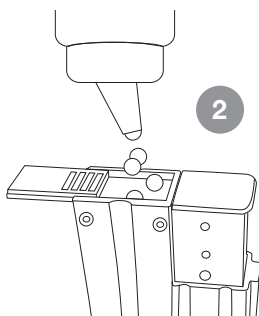


WARNING:

- Always use high quality 6mm BBs, weighing 0.2g or heavier. For best results use 0.25g KWA Perfect BBs. Never use recycled or low grade BBs to prevent damage to your gun.
- KWA K120 magazines hold 120 rounds of BBs. DO NOT load more than 120 rounds into the magazine. Overloading will cause jamming issues.

USING KWA HIGH PERFORMANCE BB LOADER (Purchase Separately)

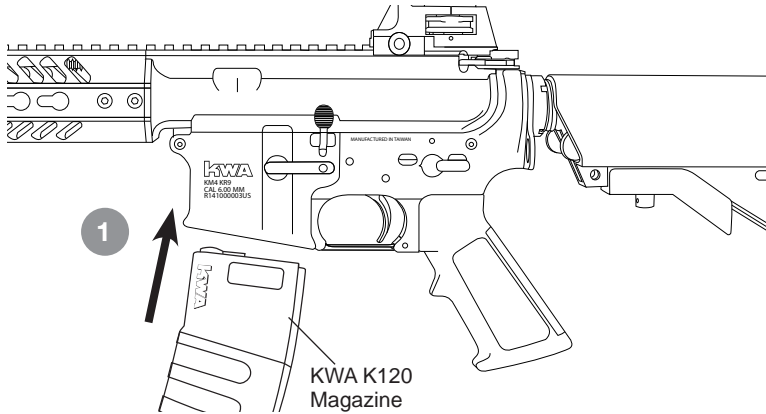
1. Release the magazine from the Airsoft gun by pressing the magazine release button.
2. Slide open the trap door on top of the BB loader. Fill the BB loader with BBs.
*Do Not Overfill.
3. Flip down the dust cover to reveal the loading nozzle.
4. Fit BB loader into the magazine feed lip.
5. Press on BB loader plunger to load BB into magazine.



WARNING: Always use high quality 6mm BBs, weight 0.2g or higher. For best result use 0.25g KWA Perfect BBs. Never use recycled or low grade BBs to prevent damage to your gun.

LOADING MAGAZINE

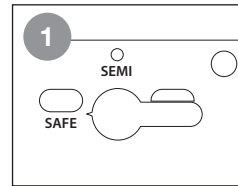
1. Place the loaded magazine into the magazine well.
2. Lightly pull on the magazine to ensure it is locked in properly.



FIRE SELECTOR SWITCH

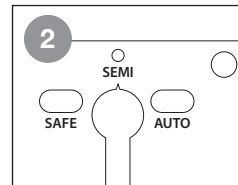
1. Safe

Safe mode is the setting to the left as indicated in the diagram. In this mode the gun will not fire. For safety reasons, you should keep the switch in Safe mode at all times when you are not ready to fire



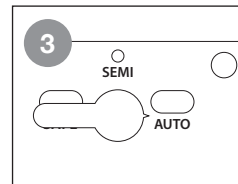
2. Semi-Auto

Semi-Auto mode is the middle setting. In this mode the gun will fire one shot for each time you squeeze the trigger.



3. Full Auto

Full Auto mode is the setting to the right. In this mode the gun will fire continuously as long as the trigger is engaged.



WARNING:

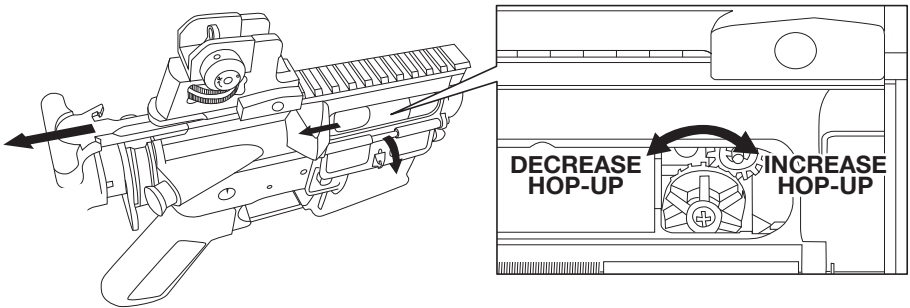
- Do not squeeze the trigger when switching the fire selector.

HOP-UP SYSTEM











The Hop-Up device is one of KWA's standard features, giving Airsoft BBs greater stability, farther travel, and increased accuracy. Airsoft BBs are lightweight and can be affected by wind when fired. With the Hop-Up system, the trajectory of the Airsoft BBs can be adjusted according to the shooting environment or surroundings.

HOP-UP ADJUSTMENT

1. Test fire the gun to determine the amount of hop needed.
2. Remove the magazine.
3. Pull the charging handle back to clear chamber and open the ejection port cover.
4. Turn the Hop-Up Dial to adjust hop.
5. Turn dial to the left for less hop, turn dial to the right for more hop.
6. Test fire and adjust as needed.



HOP-UP ADJUSTMENT POINT

BB TRAJECTORY PATTERN		ADJUSTMENTS
	BB DROPS FREELY	 TURN KNOB TO RIGHT
	BB TRAVELS AT SHORT TRAJECTORY PATH	 TURN KNOB SLIGHTLY TO RIGHT
	BB TRAVELS DISTANCE AT FLAT TRAJECTORY PATH	 NO ADJUSTMENT MADE
	BB TRAVELS FLAT IN SHORT DISTANCE, THEN GOES UP IN CURVE AND DROPS FREELY	 TURN KNOB SLIGHTLY TO LEFT
	BB TRAVELS AT UNSTABLE SPEED AND IRREGULAR PATH	 TURN KNOB TO LEFT



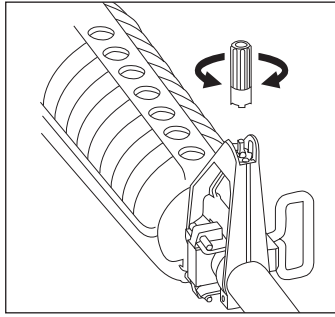
WARNING:

- Do not release the charging handle while adjusting the hop.

FRONT AND REAR SIGHT ADJUSTMENT

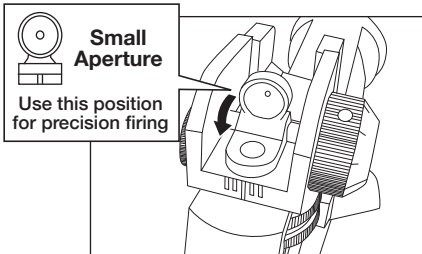
FRONT SIGHT ADJUSTMENT

1. The front sight can be moved up and down to zero the sights.
2. Turn counter clockwise to raise the post.
3. Turn clockwise to lower the post.

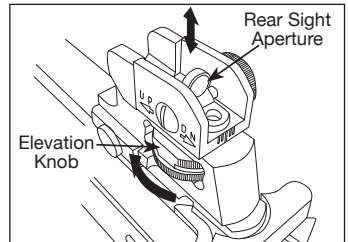
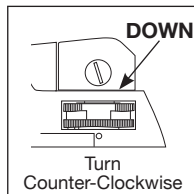
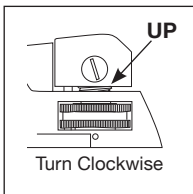
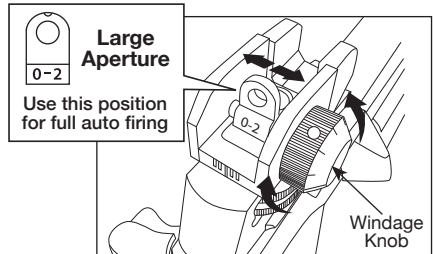


REAR SIGHT ADJUSTMENT

1. Flip the rear sight between general and precision aiming.
2. To adjust the horizontal point of impact, rotate the windage knob located on the rear of the sight.
3. To adjust the vertical point of impact, rotate the sight elevation knob located on the left and right side of the sight.



The sight assembly is marked in millimeters for precise adjustments

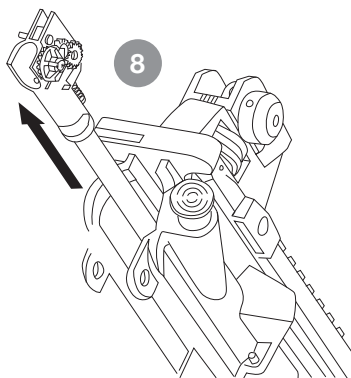
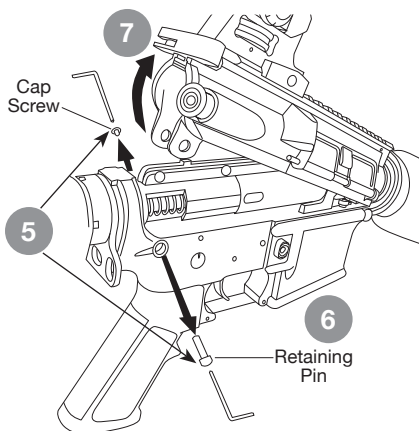


WARNING:

-If turned too far, the front sight will come off.

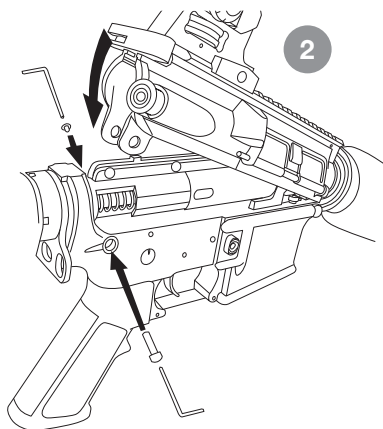
DISASSEMBLY

1. Remove magazine.
2. Shoot in semi-automatic mode 2-3 times to clear the barrel and reset the piston.
Note: Check and clear the chamber of BB's.
3. Set the selector to SAFE.
4. Remove the rear pin only from the lower receiver with the provided Allen wrenches.
5. Use 1 wrench to hold the cap screw and one to turn the set pin.
6. After removal of the cap screw, use the allen wrench to push the pin out.
7. Pull the upper receiver up.
8. Slide out the inner barrel with Hop-Up assembly.



ASSEMBLY

1. Insert the inner barrel and Hop-Up assembly into the upper receiver.
2. Secure the Hop-Up assembly into the upper receiver. Push down the upper receiver to close.
3. Align the pin holes. Insert the pin and use the allen wrench to tighten the cap screw.



WARNING:

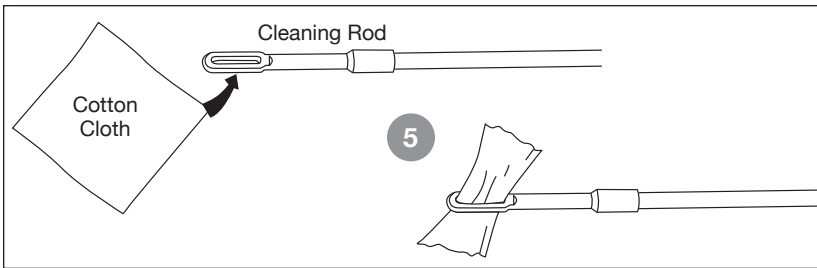
- Always place the safety cap on the barrel tip when servicing your gun. Be sure the fire selector is set to "SAFE".
- If the receiver does not open, repeat step 2 as necessary.

CLEANING

The Airsoft gun inner barrel should be cleaned after each shooting session. Regular cleaning prevents damage that can be caused by excess oil, dirt, BB residue, and debris buildup.

Cleaning Procedure

1. Ensure that the safety is engaged.
2. Remove the magazine and clear the chamber of loaded BBs.
3. Disable Hop-Up by dialing to the OFF Position (see Hop-Up Section on page 15).
4. Disassemble the receiver (see Disassembly section on page 17).
5. Steps to use cleaning rod:
 - a. Cut a piece of clean cotton cloth to 1 inch by 0.5 inch size. Insert one end of the cloth into the hole in the cleaning rod (adjust the length of cloth for smooth entry into the barrel).
 - b. Wind the cloth around the cleaning rod.
 - c. Insert the cleaning rod into the inner barrel, and push the rod through.
 - d. Remove the cleaning rod and check the cotton cloth for dirt. Repeat steps 5a-5c when necessary.



WARNING:

- **Unload and clear the Airsoft gun before cleaning.**
- **DO NOT use spray silicone oil as a cleaning solution for the inner barrel.**

BASIC TROUBLESHOOTING GUIDE FOR RIFLES

SYMPTOMS	POSSIBLE CAUSE	SOLUTIONS
Airsoft gun is not firing	Selector set to Safe Mode	Select Semi-Auto or Full-auto Mode
	Motor damaged or bad connection	Return gun for professional care
	Pinched wiring	Return gun for professional care
Motor or battery is hot after use	Pinched wiring	Return gun for professional care
	Motor damaged or bad connection	Return gun for professional care
Semi-Auto feature not functioning	Incorrect timing	Dry fire on Full-Auto
High pitch or grinding noise	Gear may be damaged/ Motor level not adjusted	Return gun for professional care
BB double feeding/rolling out of barrel	Hop-Up unit is contaminated	Clean Hop-Up unit with cleaning rod
	Hop-Up unit may be damaged	Return gun for professional care
Inner barrel is jammed	Use of low quality/recycled BBs	Use KWA Perfect BBs or other high quality BBs
	Inner barrel is contaminated	Clean inner barrel with cleaning rod
	Inner barrel is damaged	Return gun for professional care

OPERATING UNDER UNUSUAL CONDITIONS

Unusual conditions are defined as any condition requiring special maintenance. Perform maintenance outlined for the climate similar to your operational area.

Extreme Cold:

Operating an Airsoft gas gun in extremely cold temperatures is not recommended. Cold temperatures will cause the Hop-up Bucking to harden, reducing its effectiveness. Gas will not expand properly in cold temperatures, so both the cycling rate and power will be dramatically reduced.

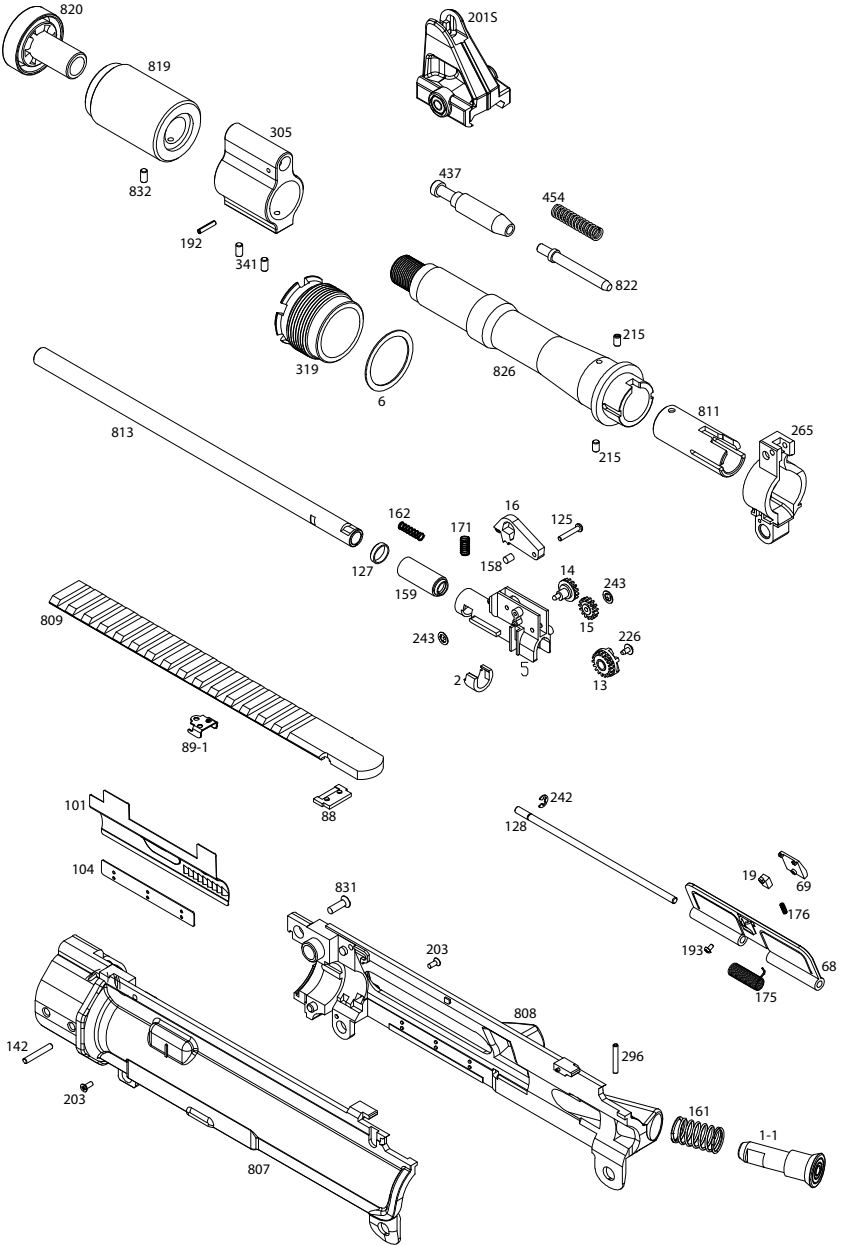
Extreme Heat:

Operating an Airsoft gas gun in extremely hot temperatures is also not recommended. Leaving the gun in direct sunlight for long periods of time, or operating in extremely hot areas will cause the gas to over-expand, damaging the internal workings of the gun. The increase in internal pressure from the expanding gas can also damage the seals and cause leaks in the magazine.

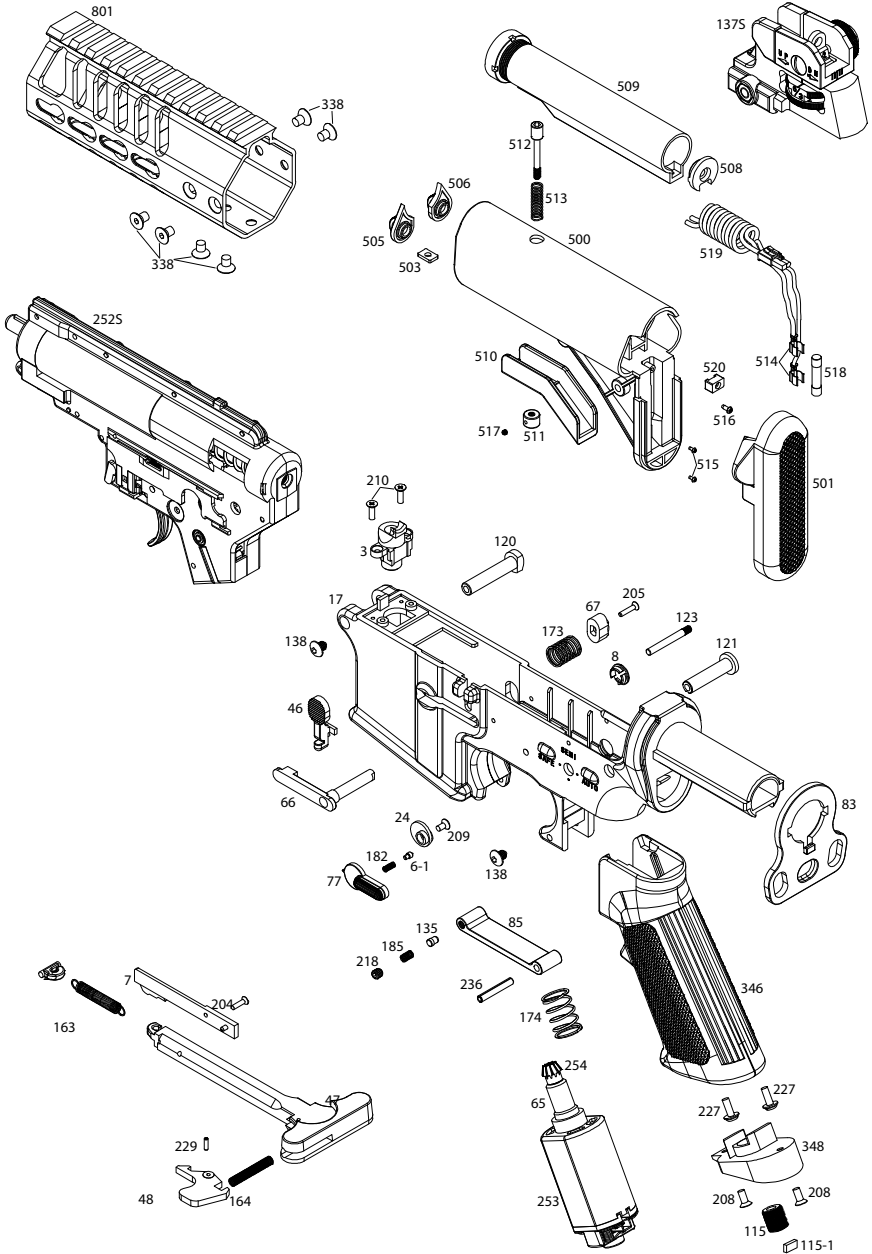
Dust or Sand:

Dust or sand can get into a gas gun and cause malfunctions and/or excessive wear. Keep the gun covered whenever possible. Use lubricant sparingly, as lube naturally attracts dirt and other particles. After use in a dusty area, always field strip the gun (refer to Disassembly Section) and clean any areas you can reach with a soft, lint-free cloth.

KM4 KR5 PARTS DIAGRAM



KM4 KR5 PARTS DIAGRAM (Continued)



KM4 KR5 PARTS LIST

Part #	Description
199-1002-1-1	Forward Assist Button
199-1002-2	Hop-Up Inner Barrel Clamp
199-1002-3	BB Feed Ramp
199-1002-5	Hop-Up Housing
199-1002-6	Outer Barrel Washer
199-1002-6-1	Selector Lever Plunger
199-1002-7	Charging Handle Plate
199-1002-8	Selector Cover
199-1002-13	Hop-Up Adjustment Dial
199-1002-14	Hop-Up Cam
199-1002-15	Hop-Up Center Gear
199-1002-16	Hop-Up Nub Lever
199-1002-17	Lower Receiver
199-1002-19	Port Cover Lock
199-1002-24	Selector Plate
199-1002-25	Charging Handle Spring Hook
199-1002-46	Bolt Catch Lever
199-1002-47	Charging Handle
199-1002-48	Charging Handle Lock Latch
199-1002-65	Motor Shaft Collar
199-1002-66	Magazine Catch
199-1002-67	Magazine Catch Button
199-1002-68	Ejection Port Cover
199-1002-69	Ejection Port Cover Plate
199-1002-77	Selector Lever
199-1002-83	Rear Sling Mount
199-1002-85	Trigger Guard
199-1002-88	Top Rail Retaining Block (Rear)
199-1002-89-1	Top Rail Retaining Block (Center)
199-1002-101	Mock Bolt Plate
199-1002-104	Mock Bolt Plate Guide
199-1002-115	Motor Cover Adjustment Screw
199-1002-115-1	Motor Cover Adjustment Screw Insert
199-1002-120	Front Take-Down Pin
199-1002-121	Rear Take-Down Pin
199-1002-123	Gear Box Set Pin
199-1002-125	Hop-Up Nub Lever Pin
199-1002-127	Inner Barrel Ring
199-1002-128	Ejection Port Cover Pin
199-1002-135	Trigger Guard Plunger
199-1002-137S	Rear Sight Assembly
199-1002-138	Take-Down Pin Screws x2

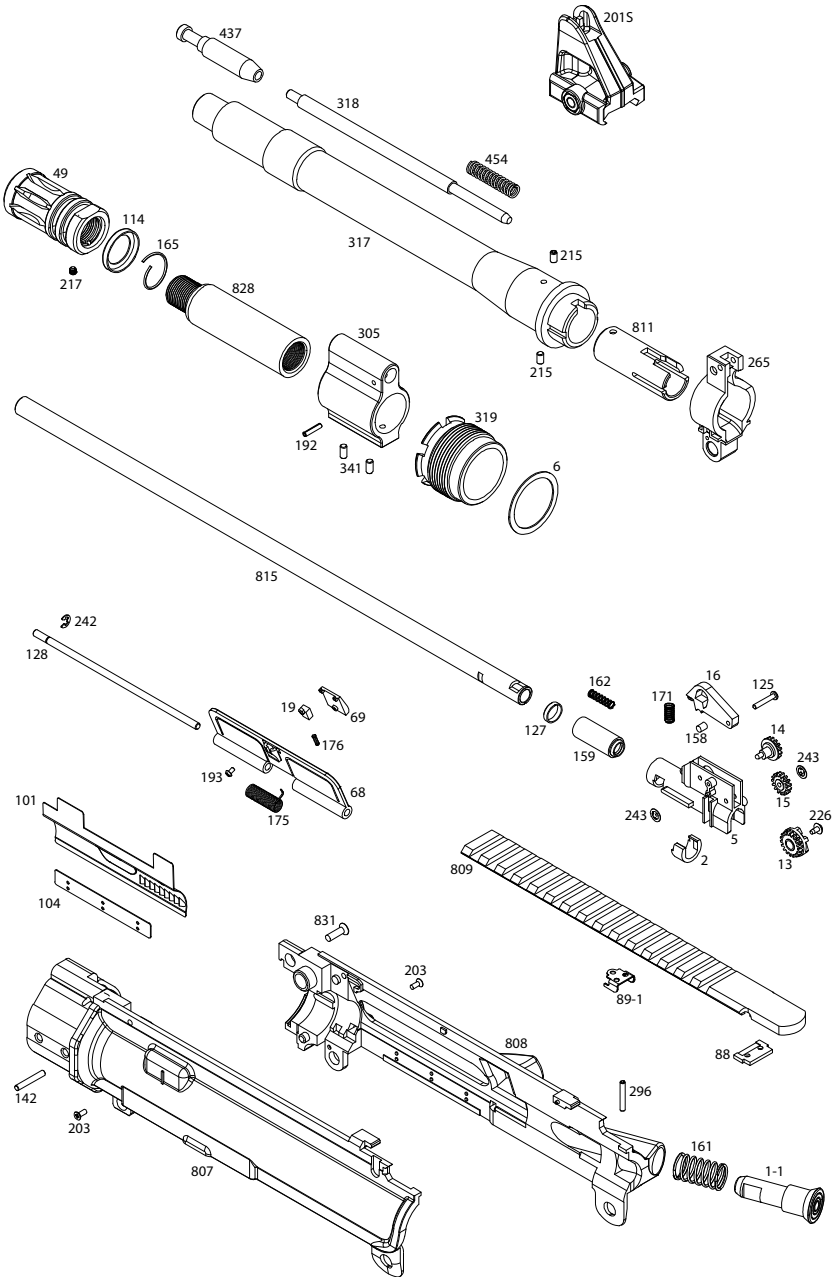
Part #	Description
199-1002-142	Upper Receiver Pin
199-1002-158	Hop-Up Nub
199-1002-159	Hop-Up Bucking
199-1002-161	Forward Assist Spring
199-1002-162	Hop-Up Tension Spring
199-1002-163	Charging Handle Spring
199-1002-164	Charging Handle Latch Spring
199-1002-171	Hop-Up Nub Lever Spring
199-1002-173	Magazine Catch Spring
199-1002-174	Motor Spring
199-1002-175	Ejection Port Cover Spring
199-1002-176	Ejection Port Cover Lock Spring
199-1002-182	Selector Lever Spring
199-1002-185	Trigger Guard Spring
199-1002-192	Gas Tube Pin
199-1002-193	Ejection Port Cover Plate Screw
199-1002-201S	Front Sight Assembly
199-1002-203	Upper Receiver Screws x2
199-1002-204	Charging Handle Plate Screw
199-1002-205	Magazine Catch Button Screw
199-1002-208	Motor Cover Screws x2
199-1002-209	Selector Plate Screw
199-1002-210	BB Feed Ramp Screws x2
199-1002-215	Outer Barrel Alignment Pins x2
199-1002-218	Trigger Guard Set Screw
199-1002-226	Hop-Up Adjustment Wheel Screw
199-1002-227	Pistol Grip Screws x2
199-1002-229	Charging Handle Latch Pin
199-1002-236	Trigger Guard Roll Pin
199-1002-242	Ejection Port Cover Lock Clamp
199-1002-243	Hop-Up Base Lock Washers x2
199-1002-252S	Gear Box Assembly
199-1002-253	Motor
199-1002-254	Motor Pinion Gear
199-1002-265	Upper Receiver Trunnion
199-1002-296	Forward Assist Pin
199-1002-305	Gas Block
199-1002-319	Outer Barrel Lock
199-1002-338	Rail Screws x6
199-1002-341	Gas Block Set Screws x2
199-1002-346	Pistol Grip
199-1002-348	Motor Cover

KM4 KR5 PARTS LIST (Continued)

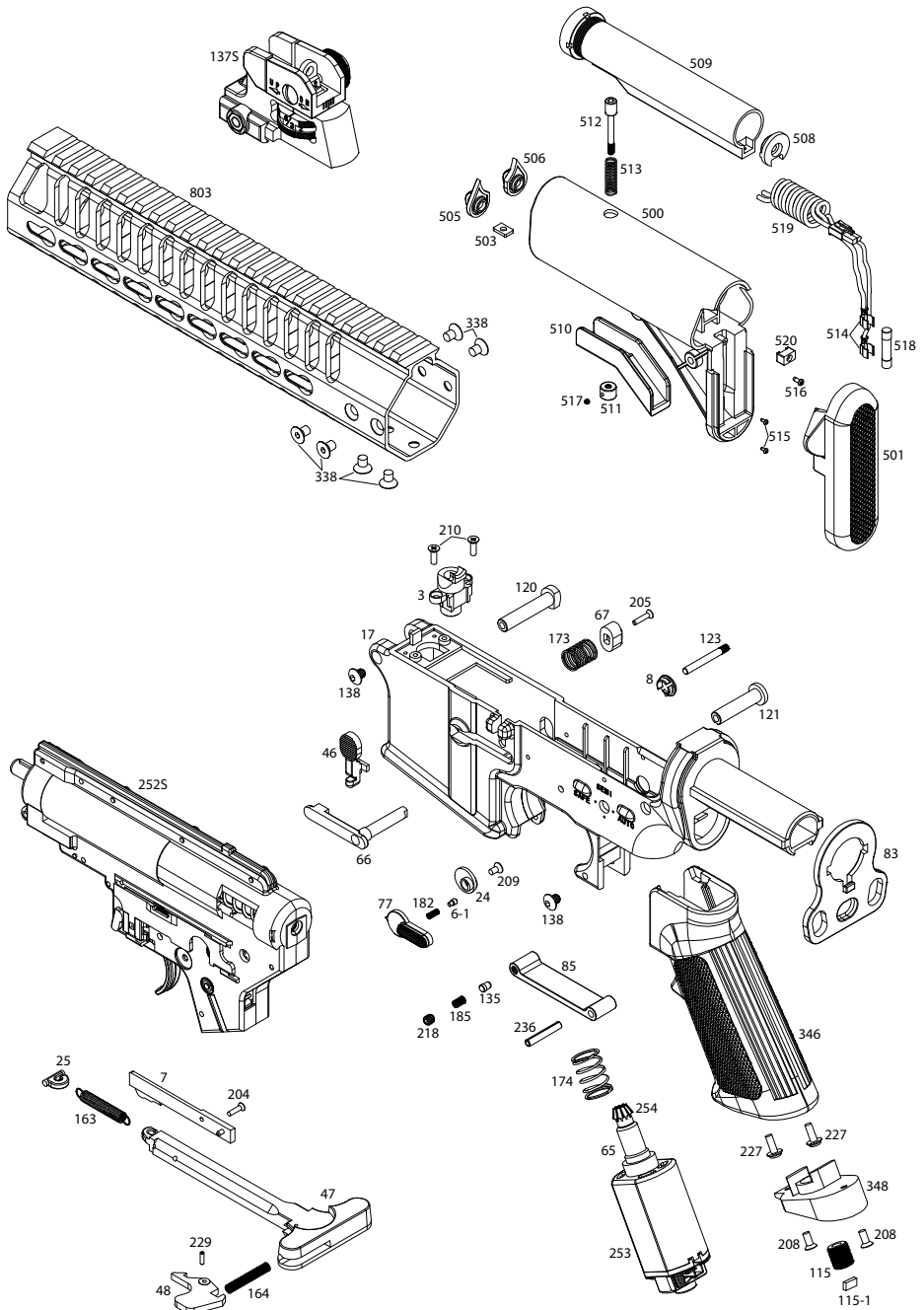
Part #	Description
199-1002-437	Gas Piston
199-1002-454	Gas Piston Spring
199-1002-500	Crane Stock
199-1002-501	Crane Stock Butt Plate
199-1002-503	Crane Stock Lever Spacer
199-1002-505	Crane Stock Cap (Left)
199-1002-506	Crane Stock Cap (Right)
199-1002-508	Buffer Tube Retainer
199-1002-509	Buffer Tube
199-1002-510	Stock Adjustment Lever
199-1002-511	Stock Lever Nut
199-1002-512	Stock Lever Bolt
199-1002-513	Stock Lever Spring
199-1002-514	Fuse Connector x2
199-1002-515	Fuse Connector Screw
199-1002-516	Crane Stock Wire Harness Screw

Part #	Description
199-1002-517	Stock Lever Nut Screw
199-1002-518	Fuse 20A
199-1002-519	Wire Harness
199-1002-520	Crane Stock Wire Harness Clamp
199-1002-801	5" KeyMod Rail
199-1002-807	Upper Receiver (Left)
199-1002-808	Upper Receiver (Right)
199-1002-809	Upper Receiver Top Rail
199-1002-811	Inner Barrel Sleeve
199-1002-813	KR5 Inner Barrel
199-1002-819	Wide Barrel Extension
199-1002-820	Wide Barrel Extension Front Cover
199-1002-822	Gas Piston Tube
199-1002-826	Outer Barrel
199-1002-831	Trunnion Screw
199-1002-832	Wide Barrel Extension Set Screw

KM4 KR9 PARTS DIAGRAM



KM4 KR9 PARTS DIAGRAM (Continued)



KM4 KR9 PARTS LIST

Part #	Description
199-1002-1-1	Forward Assist Button
199-1002-2	Hop-Up Inner Barrel Clamp
199-1002-3	BB Feed Ramp
199-1002-5	Hop-Up Housing
199-1002-6	Outer Barrel Washer
199-1002-6-1	Selector Lever Plunger
199-1002-7	Charging Handle Plate
199-1002-8	Selector Cover
199-1002-13	Hop-Up Adjustment Dial
199-1002-14	Hop-Up Cam
199-1002-15	Hop-Up Center Gear
199-1002-16	Hop-Up Nub Lever
199-1002-17	Lower Receiver
199-1002-19	Port Cover Lock
199-1002-24	Selector Plate
199-1002-25	Charging Handle Spring Hook
199-1002-46	Bolt Catch Lever
199-1002-47	Charging Handle
199-1002-48	Charging Handle Lock Latch
199-1002-49	Flash Hider
199-1002-65	Motor Shaft Collar
199-1002-66	Magazine Catch
199-1002-67	Magazine Catch Button
199-1002-68	Ejection Port Cover
199-1002-69	Ejection Port Cover Plate
199-1002-77	Selector Lever
199-1002-83	Rear Sling Mount
199-1002-85	Trigger Guard
199-1002-88	Top Rail Retaining Block (Rear)
199-1002-89-1	Top Rail Retaining Block (Center)
199-1002-101	Mock Bolt Plate
199-1002-104	Mock Bolt Plate Detent
199-1002-114	Flash Hider Washer
199-1002-115	Motor Cover Adjustment Screw
199-1002-115-1	Motor Cover Adjustment Screw Insert
199-1002-120	Front Take-Down Pin
199-1002-121	Rear Take-Down Pin
199-1002-123	Gear Box Set Pin
199-1002-125	Hop-Up Nub Lever Pin
199-1002-127	Inner Barrel Ring
199-1002-128	Ejection Port Cover Pin
199-1002-135	Trigger Guard Plunger

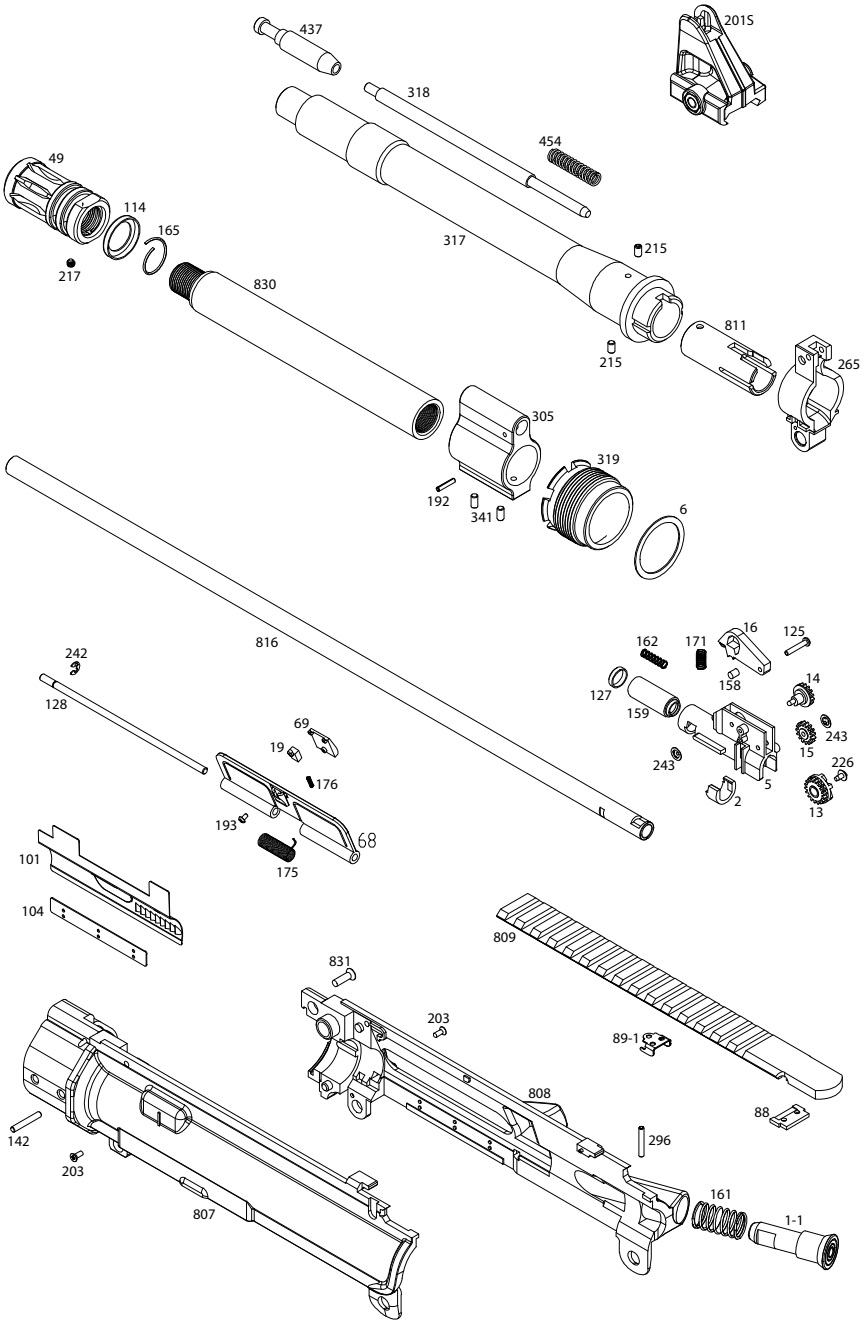
Part #	Description
199-1002-137S	Rear Sight Assembly
199-1002-138	Take-Down Pin Screws x2
199-1002-142	Upper Receiver Pin
199-1002-158	Hop-Up Nub
199-1002-159	Hop-Up Bucking
199-1002-161	Forward Assist Spring
199-1002-162	Hop-Up Tension Spring
199-1002-163	Charging Handle Spring
199-1002-164	Charging Handle Latch Spring
199-1002-165	Flash Hider Spring
199-1002-171	Hop-Up Nub Lever Spring
199-1002-173	Magazine Catch Spring
199-1002-174	Motor Spring
199-1002-175	Ejection Port Cover Spring
199-1002-176	Ejection Port Cover Lock Spring
199-1002-182	Selector Lever Spring
199-1002-185	Trigger Guard Spring
199-1002-192	Gas Tube Pin
199-1002-193	Ejection Port Cover Plate Screw
199-1002-201S	Front Sight Assembly
199-1002-203	Upper Receiver Screws x2
199-1002-204	Charging Handle Plate Screw
199-1002-205	Magazine Catch Button Screw
199-1002-208	Motor Cover Screws x2
199-1002-209	Selector Plate Screw
199-1002-210	BB Feed Ramp Screws x2
199-1002-215	Outer Barrel Alignment Pins x2
199-1002-217	Flash Hider Set Screw
199-1002-218	Trigger Guard Set Screw
199-1002-226	Hop-Up Adjustment Wheel Screw
199-1002-227	Pistol Grip Screws x2
199-1002-229	Charging Handle Latch Pin
199-1002-236	Trigger Guard Roll Pin
199-1002-242	Ejection Port Cover Lock Clamp
199-1002-243	Hop-Up Base Lock Washers x2
199-1002-252S	Gear Box Assembly
199-1002-253	Motor
199-1002-254	Motor Pinion Gear
199-1002-265	Upper Receiver Trunnion
199-1002-296	Forward Assist Pin
199-1002-305	Gas Block
199-1002-317	Outer Barrel (Rear)

KM4 KR9 PARTS LIST (Continued)

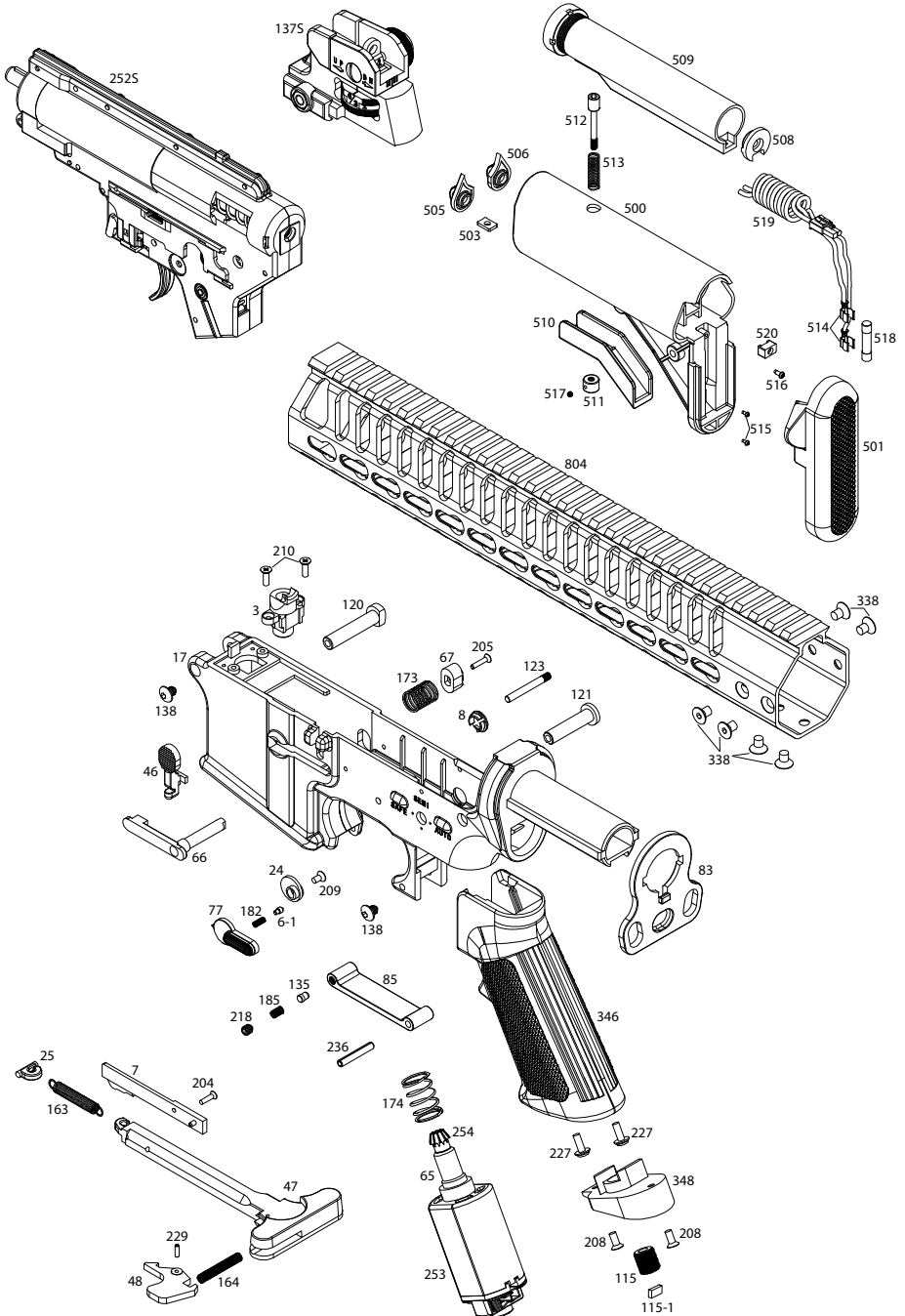
Part #	Description
199-1002-318	Gas Piston Tube
199-1002-319	Outer Barrel Lock
199-1002-338	Rail Screws x6
199-1002-341	Gas Tube Set Screws x2
199-1002-346	Pistol Grip
199-1002-348	Motor Cover
199-1002-437	Gas Piston
199-1002-454	Gas Piston Spring
199-1002-500	Crane Stock
199-1002-501	Crane Stock Butt Plate
199-1002-503	Crane Stock Lever Spacer
199-1002-505	Crane Stock Cap (Left)
199-1002-506	Crane Stock Cap (Right)
199-1002-508	Buffer Tube Retainer
199-1002-509	Buffer Tube
199-1002-510	Stock Adjustment Lever
199-1002-511	Stock Lever Nut

Part #	Description
199-1002-512	Stock Lever Bolt
199-1002-513	Stock Lever Spring
199-1002-514	Fuse Connector x2
199-1002-515	Fuse Connector Screw
199-1002-516	Crane Stock Wire Harness Screw
199-1002-517	Stock Lever Nut Screw
199-1002-518	Fuse 20A
199-1002-519	Wire Harness
199-1002-520	Crane Stock Wire Harness Clamp
199-1002-803	9" KeyMod Rail
199-1002-807	Upper Receiver (Left)
199-1002-808	Upper Receiver (Right)
199-1002-809	Upper Receiver Top Rail
199-1002-811	Inner Barrel Sleeve
199-1002-815	Inner Barrel
199-1002-828	Outer Barrel (Front)
199-1002-831	Trunnion Screw

KM4 KR12 PARTS DIAGRAM



KM4 KR12 PARTS DIAGRAM (Continued)



KM4 KR12 PARTS LIST

Part #	Description
199-1002-1-1	Forward Assist Button
199-1002-2	Hop-Up Inner Barrel Clamp
199-1002-3	BB Feed Ramp
199-1002-5	Hop-Up Housing
199-1002-6	Outer Barrel Washer
199-1002-6-1	Selector Lever Plunger
199-1002-7	Charging Handle Plate
199-1002-8	Selector Cover
199-1002-13	Hop-Up Adjustment Dial
199-1002-14	Hop-Up Cam
199-1002-15	Hop-Up Center Gear
199-1002-16	Hop-Up Nub Lever
199-1002-17	Lower Receiver
199-1002-19	Port Cover Lock
199-1002-24	Selector Plate
199-1002-25	Charging Handle Spring Hook
199-1002-46	Bolt Catch Lever
199-1002-47	Charging Handle
199-1002-48	Charging Handle Lock Latch
199-1002-49	Flash Hider
199-1002-65	Motor Shaft Collar
199-1002-66	Magazine Catch
199-1002-67	Magazine Catch Button
199-1002-68	Ejection Port Cover
199-1002-69	Ejection Port Cover Plate
199-1002-77	Selector Lever
199-1002-83	Rear Sling Mount
199-1002-85	Trigger Guard
199-1002-88	Top Rail Retaining Block (Rear)
199-1002-89-1	Top Rail Retaining Block (Center)
199-1002-101	Mock Bolt Plate
199-1002-104	Mock Bolt Plate Detent
199-1002-114	Flash Hider Washer
199-1002-115	Motor Cover Adjustment Screw
199-1002-115-1	Motor Cover Adjustment Screw Insert
199-1002-120	Front Take-Down Pin
199-1002-121	Rear Take-Down Pin
199-1002-123	Gear Box Set Pin
199-1002-125	Hop-Up Nub Lever Pin
199-1002-127	Inner Barrel Ring
199-1002-128	Ejection Port Cover Pin
199-1002-135	Trigger Guard Plunger

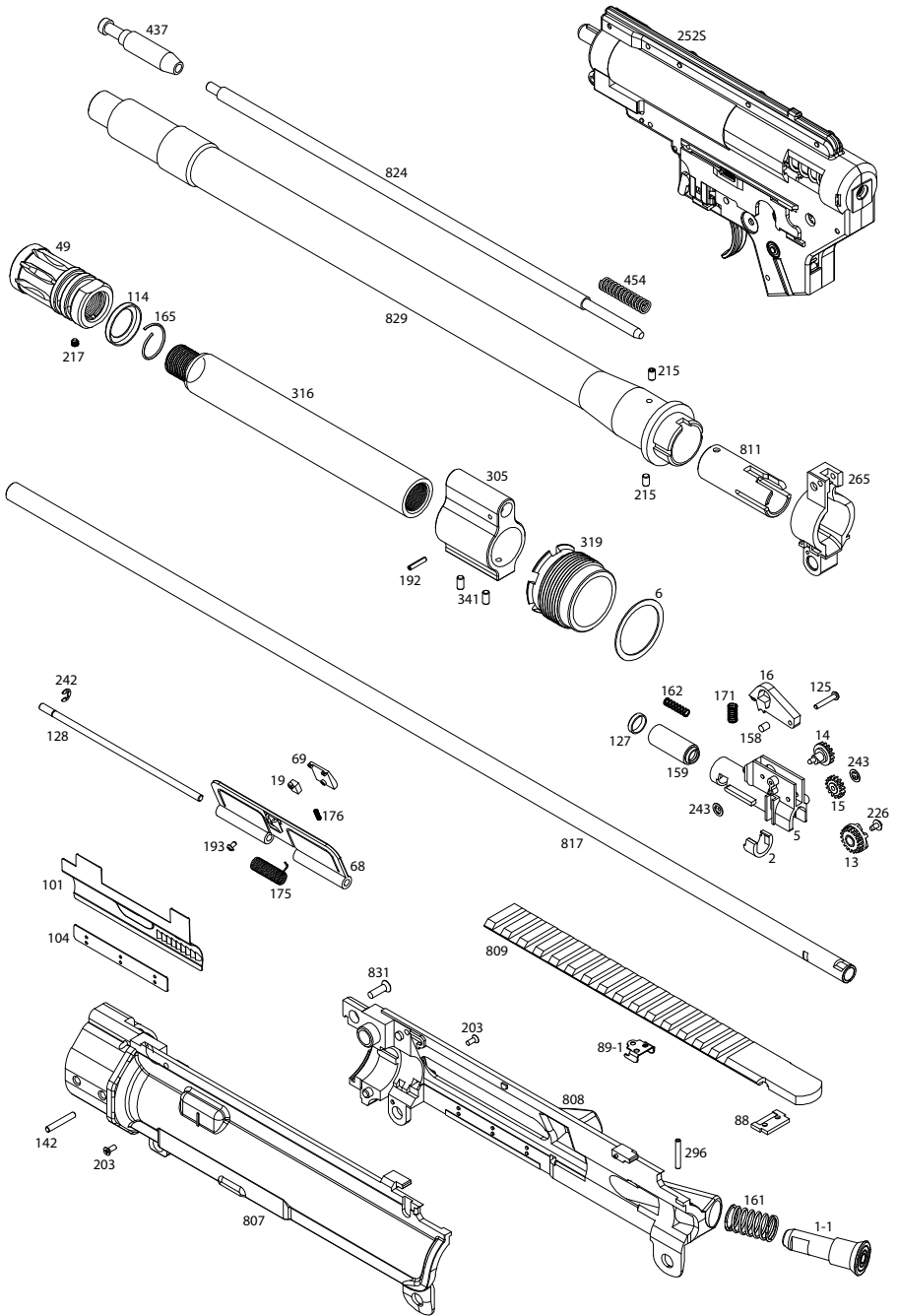
Part #	Description
199-1002-137S	Rear Sight Assembly
199-1002-138	Take-Down Pin Screws x2
199-1002-142	Upper Receiver Pin
199-1002-158	Hop-Up Nub
199-1002-159	Hop-Up Bucking
199-1002-161	Forward Assist Spring
199-1002-162	Hop-Up Tension Spring
199-1002-163	Charging Handle Spring
199-1002-164	Charging Handle Latch Spring
199-1002-165	Flash Hider Spring
199-1002-171	Hop-Up Nub Lever Spring
199-1002-173	Magazine Catch Spring
199-1002-174	Motor Spring
199-1002-175	Ejection Port Cover Spring
199-1002-176	Ejection Port Cover Lock Spring
199-1002-182	Selector Lever Spring
199-1002-185	Trigger Guard Spring
199-1002-192	Gas Tube Pin
199-1002-193	Ejection Port Cover Plate Screw
199-1002-201S	Front Sight Assembly
199-1002-203	Upper Receiver Screws x2
199-1002-204	Charging Handle Plate Screw
199-1002-205	Magazine Catch Button Screw
199-1002-208	Motor Cover Screws x2
199-1002-209	Selector Plate Screw
199-1002-210	BB Feed Ramp Screws x2
199-1002-215	Outer Barrel Alignment Pins x2
199-1002-217	Flash Hider Set Screw
199-1002-218	Trigger Guard Set Screw
199-1002-226	Hop-Up Adjustment Wheel Screw
199-1002-227	Pistol Grip Screws x2
199-1002-229	Charging Handle Latch Pin
199-1002-236	Trigger Guard Roll Pin
199-1002-242	Ejection Port Cover Lock Clamp
199-1002-243	Hop-Up Base Lock Washers x2
199-1002-252S	Gear Box Assembly
199-1002-253	Motor
199-1002-254	Motor Pinion Gear
199-1002-265	Upper Receiver Trunnion
199-1002-296	Forward Assist Pin
199-1002-305	Gas Block
199-1002-317	Outer Barrel (Rear)

KM4 KR12 PARTS LIST (Continued)

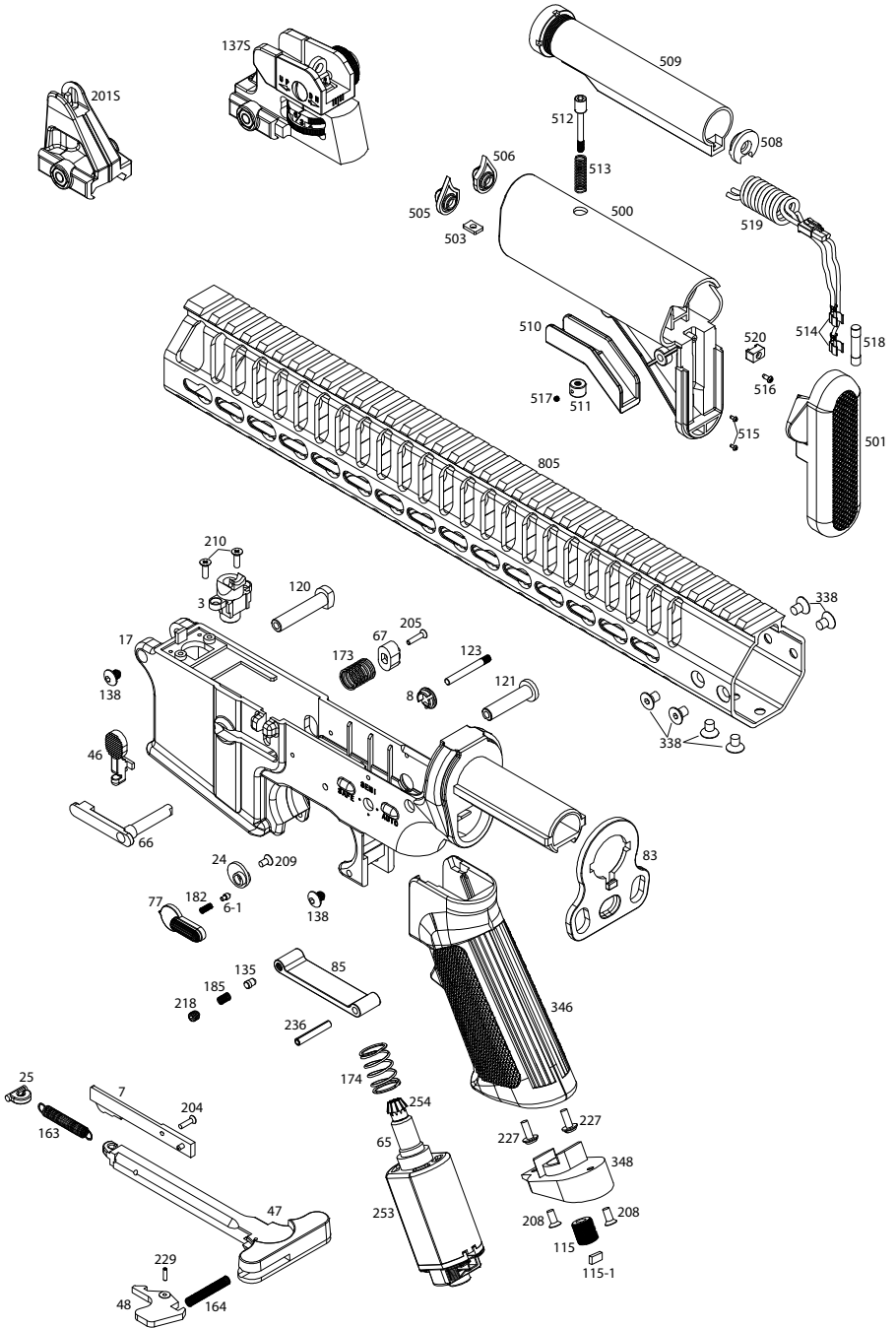
Part #	Description
199-1002-318	Gas Piston Tube
199-1002-319	Outer Barrel Lock
199-1002-338	Rail Screws x6
199-1002-341	Gas Tube Set Screws x2
199-1002-346	Pistol Grip
199-1002-348	Motor Cover
199-1002-437	Gas Piston
199-1002-454	Gas Piston Spring
199-1002-500	Crane Stock
199-1002-501	Crane Stock Butt Plate
199-1002-503	Crane Stock Lever Spacer
199-1002-505	Crane Stock Cap (Left)
199-1002-506	Crane Stock Cap (Right)
199-1002-508	Buffer Tube Retainer
199-1002-509	Buffer Tube
199-1002-510	Stock Adjustment Lever
199-1002-511	Stock Lever Nut

Part #	Description
199-1002-512	Stock Lever Bolt
199-1002-513	Stock Lever Spring
199-1002-514	Fuse Connector x2
199-1002-515	Fuse Connector Screw
199-1002-516	Crane Stock Wire Harness Screw
199-1002-517	Stock Lever Nut Screw
199-1002-518	Fuse 20A
199-1002-519	Wire Harness
199-1002-520	Crane Stock Wire Harness Clamp
199-1002-804	12" KeyMod Rail
199-1002-807	Upper Receiver (Left)
199-1002-808	Upper Receiver (Right)
199-1002-809	Upper Receiver Top Rail
199-1002-811	Inner Barrel Sleeve
199-1002-816	Inner Barrel
199-1002-830	Outer Barrel (Front)
199-1002-831	Trunnion Screw

KM4 KR14 PARTS DIAGRAM



KM4 KR14 PARTS DIAGRAM (Continued)



KM4 KR14 PARTS LIST

Part #	Description
199-1002-1-1	Forward Assist Button
199-1002-2	Hop-Up Inner Barrel Clamp
199-1002-3	BB Feed Ramp
199-1002-5	Hop-Up Housing
199-1002-6	Outer Barrel Washer
199-1002-6-1	Selector Lever Plunger
199-1002-7	Charging Handle Plate
199-1002-8	Selector Cover
199-1002-13	Hop-Up Adjustment Dial
199-1002-14	Hop-Up Cam
199-1002-15	Hop-Up Center Gear
199-1002-16	Hop-Up Nub Lever
199-1002-17	Lower Receiver
199-1002-19	Port Cover Lock
199-1002-24	Selector Plate
199-1002-25	Charging Handle Spring Hook
199-1002-46	Bolt Catch Lever
199-1002-47	Charging Handle
199-1002-48	Charging Handle Lock Latch
199-1002-49	Flash Hider
199-1002-65	Motor Shaft Collar
199-1002-66	Magazine Catch
199-1002-67	Magazine Catch Button
199-1002-68	Ejection Port Cover
199-1002-69	Ejection Port Cover Plate
199-1002-77	Selector Lever
199-1002-83	Receiver End Plate
199-1002-85	Trigger Guard
199-1002-88	Top Rail Retaining Block (Rear)
199-1002-89-1	Top Rail Retaining Block (Center)
199-1002-101	Mock Bolt Plate
199-1002-104	Mock Bolt Plate Detent
199-1002-114	Flash Hider Washer
199-1002-115	Motor Cover Adjustment Screw
199-1002-115-1	Motor Cover Adjustment Screw Insert
199-1002-120	Front Take-Down Pin
199-1002-121	Rear Take-Down Pin
199-1002-123	Gear Box Set Pin
199-1002-125	Hop-Up Nub Lever Pin
199-1002-127	Inner Barrel Ring
199-1002-128	Ejection Port Cover Pin
199-1002-135	Trigger Guard Plunger

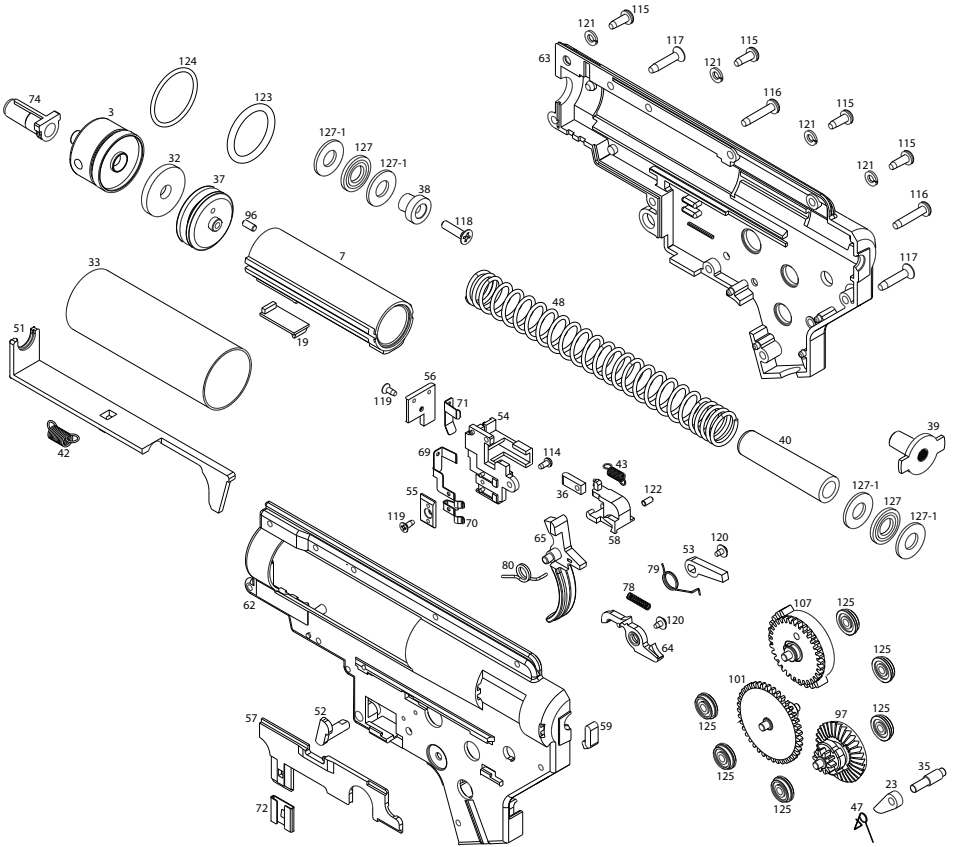
Part #	Description
199-1002-137S	Rear Sight Assembly
199-1002-138	Take-Down Pin Screws x2
199-1002-142	Upper Receiver Pin
199-1002-158	Hop-Up Nub
199-1002-159	Hop-Up Bucking
199-1002-161	Forward Assist Spring
199-1002-162	Hop-Up Tension Spring
199-1002-163	Charging Handle Spring
199-1002-164	Charging Handle Latch Spring
199-1002-165	Flash Hider Spring
199-1002-171	Hop-Up Nub Lever Spring
199-1002-173	Magazine Catch Spring
199-1002-174	Motor Spring
199-1002-175	Ejection Port Cover Spring
199-1002-176	Ejection Port Cover Lock Spring
199-1002-182	Selector Lever Spring
199-1002-185	Trigger Guard Spring
199-1002-192	Gas Tube Pin
199-1002-193	Ejection Port Cover Plate Screw
199-1002-201S	Front Sight Assembly
199-1002-203	Upper Receiver Screws x2
199-1002-204	Charging Handle Plate Screw
199-1002-205	Magazine Catch Button Screw
199-1002-208	Motor Cover Screws x2
199-1002-209	Selector Plate Screw
199-1002-210	BB Feed Ramp Screws x2
199-1002-215	Outer Barrel Alignment Pins x2
199-1002-217	Flash Hider Set Screw
199-1002-218	Trigger Guard Set Screw
199-1002-226	Hop-Up Adjustment Wheel Screw
199-1002-227	Pistol Grip Screws x2
199-1002-229	Charging Handle Latch Pin
199-1002-236	Trigger Guard Roll Pin
199-1002-242	Ejection Port Cover Lock Clamp
199-1002-243	Hop-Up Base Lock Washers x2
199-1002-252S	Gear Box Assembly
199-1002-253	Motor
199-1002-254	Motor Pinion Gear
199-1002-265	Upper Receiver Trunnion
199-1002-296	Forward Assist Pin
199-1002-305	Gas Block
199-1002-316	Outer Barrel (Front)

KM4 KR14 PARTS LIST (Continued)

Part #	Description
199-1002-319	Outer Barrel Lock
199-1002-338	Rail Screws x6
199-1002-341	Gas Tube Set Screws x2
199-1002-346	Pistol Grip
199-1002-348	Motor Cover
199-1002-437	Gas Piston
199-1002-454	Gas Piston Spring
199-1002-500	Crane Stock
199-1002-501	Crane Stock Butt Plate
199-1002-503	Crane Stock Lever Spacer
199-1002-505	Crane Stock Cap (Left)
199-1002-506	Crane Stock Cap (Right)
199-1002-508	Buffer Tube Retainer
199-1002-509	Buffer Tube
199-1002-510	Stock Adjustment Lever
199-1002-511	Stock Lever Nut
199-1002-512	Stock Lever Bolt

Part #	Description
199-1002-513	Stock Lever Spring
199-1002-514	Fuse Connector x2
199-1002-515	Fuse Connector Screw
199-1002-516	Crane Stock Wire Harness Screw
199-1002-517	Stock Lever Nut Screw
199-1002-518	Fuse 20A
199-1002-519	Wire Harness
199-1002-520	Crane Stock Wire Harness Clamp
199-1002-805	14" KeyMod Rail
199-1002-807	Upper Receiver (Left)
199-1002-808	Upper Receiver (Right)
199-1002-809	Upper Receiver Top Rail
199-1002-811	Inner Barrel Sleeve
199-1002-817	Inner Barrel
199-1002-824	Gas Piston Tube
199-1002-829	Outer Barrel (Rear)
199-1002-831	Trunnion Screw

KWA 2GX GEARBOX PARTS DIAGRAM

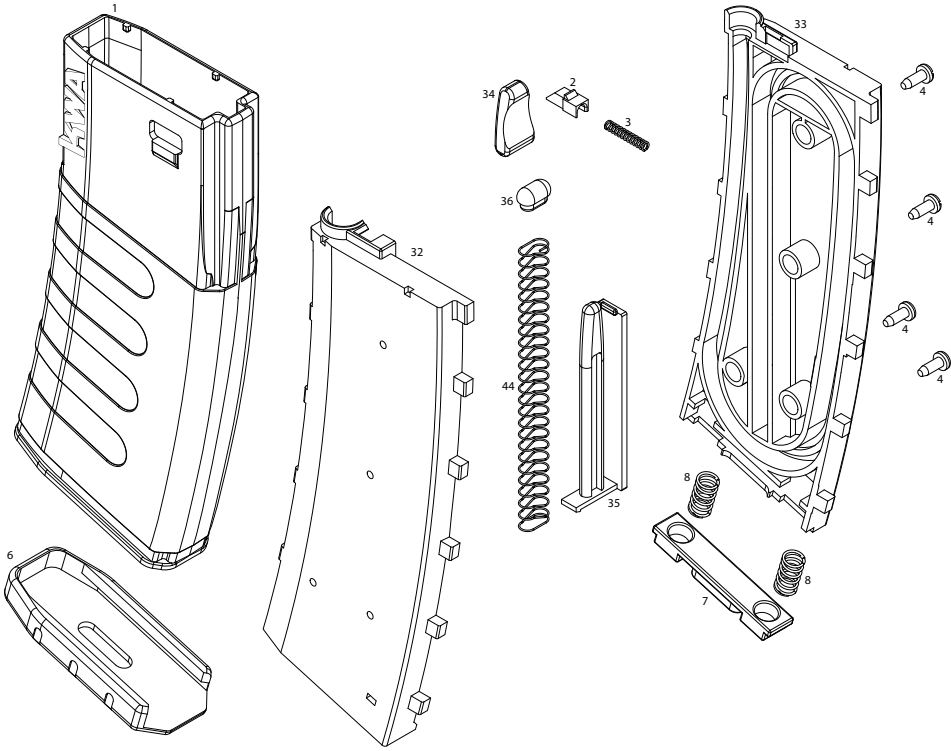


KWA 2GX GEARBOX PARTS LIST

Part #	Description
199-1002-M3	Gearbox Cylinder Head
199-1002-M7	Gearbox Piston
199-1002-M19	Gearbox Piston Metal Plate
199-1002-M23	Anti-Reverse Latch
199-1002-M32	Gearbox Cylinder Head Buffer
199-1002-M33	Gearbox Cylinder
199-1002-M35	Anti-Reverse Latch Axis
199-1002-M36	Gearbox Trigger Switch Contact Plate
199-1002-M37	Gearbox Piston Head
199-1002-M38	Gearbox Piston Head End Cap
199-1002-M39	Gearbox Spring Guide End Cap
199-1002-M40	Gearbox Spring Guide Rod
199-1002-M42	Gearbox Tappet Plate Spring
199-1002-M43	Gearbox Trigger Switch Return Spring
199-1002-M47	Gearbox Anti-Reversale Latch Spring
199-1002-M48	Gearbox Main Spring, M120
199-1002-M51	Gearbox Tappet Plate
199-1002-M52	Gearbox Safety Lever Base
199-1002-M53	Gearbox Safety Lever
199-1002-M54	Gearbox Wire Harness Base
199-1002-M55	Gearbox Power Bridge Plate
199-1002-M56	Gearbox Switch Bridge Plate
199-1002-M57	Gearbox Selector Plate
199-1002-M58	Gearbox Trigger Switch Block
199-1002-M59	Gearbox Wire Retainer
199-1002-M62	Gearbox Mechbox Shell (Left)
199-1002-M63	Gearbox Mechbox Shell (Right)
199-1002-M64	Gearbox Cut-off Lever

Part #	Description
199-1002-M65	Gearbox Trigger
199-1002-M69	Gearbox Trigger Switch Brush / Power Out
199-1002-M70	Gearbox Power Cut-off Brush
199-1002-M71	Gearbox Trigger Switch Brush / Power In
199-1002-M72	Gearbox Selector Plate Contact
199-1002-M74	Gearbox Air Nozzle
199-1002-M78	Gearbox Cut-off Lever Spring
199-1002-M79	Gearbox Safety Lever Spring
199-1002-M80	Gearbox Trigger Spring
199-1002-M96	Gearbox Piston Head Set Screw
199-1002-M97	Gearbox Bevel Gear
199-1002-M101	Gearbox Spur Gear
199-1002-M107	Gearbox Sector Gear
199-1002-M114	Gearbox Wire Harness Base Screw
199-1002-M115	Gearbox Mechbox Screw
199-1002-M116	Gearbox Mechbox Screw
199-1002-M117	Gearbox Mechbox Screw
199-1002-M118	Gearbox Piston Head Screw
199-1002-M119	Gearbox Wire Harness Base Screw
199-1002-M120	Gearbox Cut-off Lever Screw
199-1002-M121	Gearbox Mechbox Screw Locking Washer
199-1002-M122	Gearbox Trigger Switch Pin
199-1002-M123	Gearbox Piston Head O-Ring
199-1002-M124	Gearbox Cylinder Head O-Ring
199-1002-M125	Gearbox 9mm Bearing Bushing
199-1002-M127	Gearbox Piston Grooved Washer
199-1002-M127-1	Gearbox Spring Guide Flat Washer

K120 MAGAZINE PARTS DIAGRAM and PARTS LIST



Part #	Description
199-1002-MG1	MAGAZINE BODY
199-1002-MG2	MAGAZINE BB STOP
199-1002-MG3	MAGAZINE BB STOP SRPING
199-1002-MG4	MAGAZINE HOUSING SCREW
199-1002-MG6	MAGAZINE BASE PLATE
199-1002-MG7	MAGAZINE BASE PLATE STOP
199-1002-MG8	MAGAZINE BASE PLATE SPRINGS
199-1002-MG32	MAGAZINE HOUSING (LEFT PANEL)
199-1002-MG33	MAGAZINE HOUSING (RIGHT PANEL)
199-1002-MG34	MAGAZINE FOLLOWER GUIDE
199-1002-MG35	MAGAZINE FOLLOWER
199-1002-MG36	MAGAZINE FOLLOWER LINK
199-1002-MG44	MAGAZINE FOLLOWER SPRING

KWA Performance Industries, Inc.

18571 E. Gale Ave.

City of Industry, CA 91748

T: (626) 581-1777 • F: (626) 581-0777

WWW.KWAUSA.COM